

# 2010 | LOCKER LOCK Security Products Catalog



**BLOCK  
GUARD**  
Anti-Shim Technology



See New ADA  
Lock Products



Product  
Information



User  
Training



Administration  
Training

**NEW LIBRARY OF VIDEOS AVAILABLE AT:  
[WWW.MASTERLOCK.COM/SCHOOL/VIDEO](http://WWW.MASTERLOCK.COM/SCHOOL/VIDEO)  
See page 3 for details**

INNOVATION | SECURITY | SERVICE


**Master  
Lock®**

Lock Type / Application	Product Number(s)	Page
BlockGuard® Anti-Shim, Wrap Around Latch™, ADA Built-in Technologies		2
Locker Manager® - Locker Administration Software		3
Select Your Lock to Match Your Locking Criteria		4

### Built-In Locks

Built-in Combination for Single Point Wrap Around Latch™ Lockers	1690	5
Built-in Keyed for Single Point Wrap Around Latch™ Lockers	1790	6
Built-in Combination Lock for Lift Handle Lockers	1630/1631	7
Built-in Combination Lock for Single Point Horizontal Latch Lockers	1652/1653	8
Built-in Combination Lock for Horizontal Latch Box Lockers	1654/1655	9
Built-in Combination Deadbolt Lock for Lift Handle, Single Point Horizontal Latch and Box Lockers	1670/1671	10
Built-in Key Operated Locks for Lift Handle, Single Point Horizontal Latch and Box Lockers	1710/1714	11

### Portable Locks

SmoothSpin™ Combination Padlocks	<b>NOW FEATURING</b>  2076	12
General Security Combination Padlocks	1502/1525/1525EZRC	13
High Security Combination Padlocks	2002/2010	14
High Security Solid Aluminum Padlocks	A1205	15
Laminated Steel Padlocks	3/11	15

### ADA Mainstream Locks



ADA Security Products Compliance Guide		16
<b>NEW</b> PushKey™ Portable Padlock	2650	16
Built-in Combination Lock for Lift Handle Lockers	1636MKADA	17
<b>NEW</b> Built-in Combination Lock for Lift Handle, Turn Handle and Single Point Latch/Box Horizontal Latch Lockers	1676MKADA	17
Built-in Combination Lock for Single Point Wrap Around Latch™ Lockers	1695MKADA	17
Built-in Keyed for Single Point Horizontal Latch or Lift Handle Lockers	1710ADA	18
Built-in Keyed for Single Point Wrap Around Latch™ Lockers	1790ADA	18

### Quick Ship Stock Locker Lock Program

The most popular Master Lock locker locks are now stocked in Louisville, KY.



#### Ships within 48 Hours!

When your customers need locker locks in a hurry, you can deliver with the Master Lock Quick Ship Stock Locker Lock Program's inventory of stocked locks. Master Lock will ship within 48 hours of receipt on the order.

#### Made-to-Order Locks in 5 Days!

All other locks are made to order. Once an order is placed, the locks will typically ship in five working days. Call us if better times are required **1-888-878-9952**.

**Innovative Solutions • Improved Service • Quality Products • Quick Delivery**

You can trust Master Lock for the locker lock products, security, support and service you need. For more information, please contact us at **888-878-9952** or visit us at **www.masterlock.com**.

## BLOCKGUARD® ANTI-SHIM PADLOCK TECHNOLOGY!

### Advances padlock security to the next level.

Continuing to lead the market with innovative security solutions, Master Lock now offers the patent-pending BlockGuard® Anti-Shim Technology – the very best in shim deterrence for combination padlocks.

These enhanced combination locks deter shimming, a method of violating a lock by inserting a specially designed shim tool into its latch mechanism. BlockGuard® has unique flat latch technology that actually blocks typical shimming tools from opening the lock – deterring break-ins.

Master Lock exclusive BlockGuard® Anti-Shim Technology is now available on Models 1502, 1525 and 2076 with supervisory key control.

Then, now and always... Master Lock, a brand you can trust!



**Model 2076** See page 12  
**Models 1502 & 1525**  
 See page 13



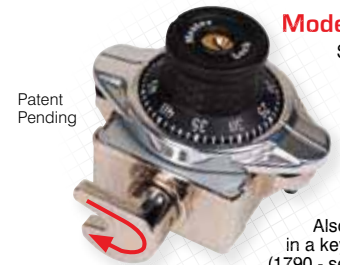
View the BlockGuard® Video at [www.masterlock.com/school/video](http://www.masterlock.com/school/video)

## WRAP AROUND LATCH™ TECHNOLOGY!

### The Best Lock for Single Point Latch Lockers!

#### LESS MAINTENANCE, MORE SECURITY, EASY TO USE

The all-new patent pending model 1690, 1695MKADA, and 1790 built-in locks use the same technology as an automotive door lock system, utilizing slam shut operation combined with a rotating latch that wraps around the latch plate. Designed for Single Point Latch Lockers, these locks provide the most robust design and requires the least adjustment for proper operation.



**Model 1690**  
 See page 5

Patent Pending

**LATCH WRAPS AROUND THE LATCH PLATE**

Also available in a keyed model (1790 - see page 6) and master keyed ADA model (1695MKADA - see page 17).

#### EXTREMELY PRY RESISTANT



FRONT VIEW

BACK VIEW

The lock latch can not be easily separated from the latch plate through horizontal or vertical prying.

Latch hits side stop and bottom before disengaging: Can not come off latch plate!

#### EXTREMELY SHIM RESISTANT



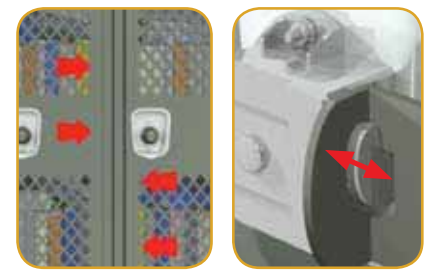
FRONT VIEW

BACK VIEW

Even in the case of ventilated lockers the 1690/1790 hold strong as the Wrap-Around-Latch™ prevents the use of shims and similar techniques for opening the door.

Dead bolt latch automatically locks in position once the locker door is shut, preventing defeating the lock through attempts to move or shim the lock.

#### INCREASED HORIZONTAL TOLERANCE



FRONT VIEW

BACK VIEW

A wider operating range reduces the need for call backs or future maintenance adjustments. This saves your facility time and money.

The 1690 design offers a much wider operating range.



View the 1690 Video at [www.masterlock.com/school/video](http://www.masterlock.com/school/video)

## ADA BUILT-IN LOCK TECHNOLOGY!

### Same Look as Standard Lock Helps Mainstream ADA Students

#### 3 Ways to Open Locks!

##### 1. Student Key (for ADA student)

- Two keys provided with ADA keyheads
- Key only opens one lock



##### 2. Master Key (for supervisors)

- Each master key opens all ADA locks in your system
- Each master key system has between 475-592 key changes



##### 3. Combination (for use like other combo locks in your system)

- 5 combinations built in for reuse year after year
- Automatic combination reset once door is shut



ADA Compliant\*

\*as defined on page 16

**Model 1636MKADA**

See page 17



Also available:

Model 1676MKADA and Model 1695MKADA.



View the Student Training Video at [www.masterlock.com/school/video](http://www.masterlock.com/school/video)

## TRAINING & INSTRUCTIONAL VIDEOS

### Great Training and Selling Tools!

Master Lock offers a library of locker lock videos conveniently categorized as Product Information, User Training, or Administration Training. These videos are great for training or to use as selling tools. Look for these symbols throughout this and other Master Lock literature to indicate the type of information available for each product.



Product Information



User Training



Administration Training

Videos available at:  
[www.masterlock.com/school/video](http://www.masterlock.com/school/video)



Example of one of the many user training videos available

## LOCKER MANAGER® LOCKER ADMINISTRATION SOFTWARE



# LockerManager®

Software That Makes Locker Management Easy!

Quick and Simple • Saves Days of Time • No Annual Fee • Great Support

LockerManager® is an easy-to-use program that makes locker administration simple. How? LockerManager® automates time consuming activities such as assigning locks to lockers, assigning students to lockers, communicating locker assignments, combination management, locker maintenance, and more!

### SOFTWARE FEATURES:

- ▶ Point & click, icon driven, user-friendly interface that makes entering, viewing and manipulating locker information a breeze!
  - ▶ Quick and easy one time system setup.
    - Easily import Master Lock and American Lock control chart information.
    - Automated processes to quickly teach LockerManager® about your lockers.
    - Automated processes to assign locks to lockers.
  - ▶ Import student information from a variety of sources, including your student information system or spreadsheet.
  - ▶ Automated processes to assign lockers to students.
  - ▶ Click of a mouse management of annual built-in combination roll-overs.
  - ▶ Locker maintenance tracking and reporting.
  - ▶ Export control charts to a spreadsheet.
  - ▶ Manage student fee collection and reporting.
- ...and many more valuable features!

### PRODUCT & SERVICE OPTIONS

**Single** Software Package License  
**1 license for 1 location**

No annual license fees

1 Free Year of our Support Subscription

Order #4101

- 1 Year Additional Support Subscription 4101Y1
- 2 Year Additional Support Subscription 4101Y2

**5-Pack** Software Package License  
**5 licenses for 1 location**

No annual license fees

1 Free Year of our Support Subscription for all 5 licenses

Order #4501

- 1 Year Additional Support Subscription 4501Y1
- 2 Year Additional Support Subscription 4501Y2

Download a FREE 30 Day Trial and See for Yourself at:  
[www.masterlockmanager.com](http://www.masterlockmanager.com)



#### System Requirements

- Windows 98, 98SE, ME, NT2000, XP, Vista
- 50 MB available hard drive space
- Designed for XBA resolution at 1024x768 or higher
- Pentium III class PC (500 MHz or higher recommended)





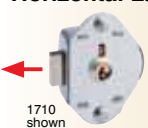





Other brand and product names are trademarks or registered trademarks of their respective holders.

CONTACT YOUR LOCK DEALER FOR THE BEST DEALS AVAILABLE  
 or go online: [www.masterlockmanager.com](http://www.masterlockmanager.com)



View the Locker Manager® Video at  
[www.masterlockmanager.com](http://www.masterlockmanager.com)

# Select Your Lock to Match Your Locking Criteria

	Locker Application	Supervisory Access	Resistance to Vandalism	Levels of Security	Multiple User Access	Ease of Use	Overall Value
<b>Built-In Combination</b>							
<b>NOTE: All combination locks are 3 number combinations</b>							
<b>Vertical Latch</b>  1630 Pg. 7 1636MKADA Pg. 17 Lift Handle				<b>BEST</b> Automatic Dead Bolt			
<b>*Wrap Around Latch™</b>  1690 Pg. 5 1695MKADA Pg. 17 Single Point Wrap Around Latch		<b>BEST</b> Master Keyed Standard	<b>BETTER</b> Concealed Mounting	<b>BEST</b> Automatic Dead Bolt, Wrap Around Latch	<b>BETTER</b> Multi Year Use with 5 Touch-of-a-Button Combination Changes Built in	<b>BEST</b> Slam Shut	<b>BEST</b> Lowest Lifetime Cost Over Life of the Product
<b>Horizontal Latch</b>  1652 Pg. 8 1654 (SB) Pg. 9 1670 (DB) Pg. 10 1676MKADA (DB) Pg. 17 All - Single Pt. Horiz. Latch 1670/ 1676MKADA Single Point Horizontal Latch and Lift Handle				<b>BETTER</b> Spring Bolt and Dead Bolt Models		<b>BEST/BETTER</b> Slam Shut or Manual Lock Option	
<b>Built-In Keyed</b>							
<b>Wrap Around Latch™</b>  1790 Pg. 6 Single Point Wrap Around Latch		<b>BETTER</b> Master Keyed Optional	<b>BEST</b> Concealed Mounting, No Exposed Parts	<b>BEST</b> Automatic Dead Bolt, Wrap Around Latch	<b>BETTER</b> Manual Key Assignment and Retrieval	<b>BEST</b> Key Operated	<b>BEST</b> Lowest Lifetime Cost Over Life of the Product
<b>Horizontal Latch</b>  1710 (DB) 1714 (SB) Pg. 18 Single Point Horizontal Latch and Lift Handle				<b>BETTER</b> Spring Bolt and Dead Bolt Models			
<b>Portable Combination</b>							
<b>NOTE: All combination locks are 3 number combinations</b>							
<b>General Security</b>  2076 Pg. 12 1502/1525 Pg. 13 Lockers with a Hasp		<b>BETTER</b> Master Keyed Optional	<b>GOOD</b> Hardened Shackle	<b>GOOD</b> Single Lever Locking*	<b>GOOD</b> Single Owner/User	<b>BETTER</b> Dial Operated	<b>BETTER</b> Lowest Initial or One Time Cost
<b>High Security</b>  2002/2010 Pg. 14				<b>BEST</b> Dual Ball Locking			
<b>Portable Keyed</b>							
<b>High Security</b>  A1205 Pg. 15 Lockers with a Hasp		<b>BETTER</b> Master Keyed Optional	<b>GOOD</b> Hardened Shackle	<b>BEST</b> Dual Ball Bearing Locking	<b>BETTER</b> Manual Key Assignment and Retrieval	<b>BEST</b> Key Operated	<b>BETTER</b> Lowest Initial or One Time Cost
<b>General Security</b>  3, 11 Pg. 15 Lockers with a Hasp				<b>BETTER</b> Dual Lever Locking			
<b>PushKey™</b>  2650 Pg. 16		<b>GOOD</b> Four Keys Included		<b>GOOD</b> Push Key Cylinder Locking			

(DB) = Deadbolt  
 (SB) = Springbolt  
 = Various Colors Available

\*BlockGuard® Anti-Shim Technology

# 1690 Series Built-in Combination Lock for Single Point Wrap Around Latch™ Lockers

Patent Pending

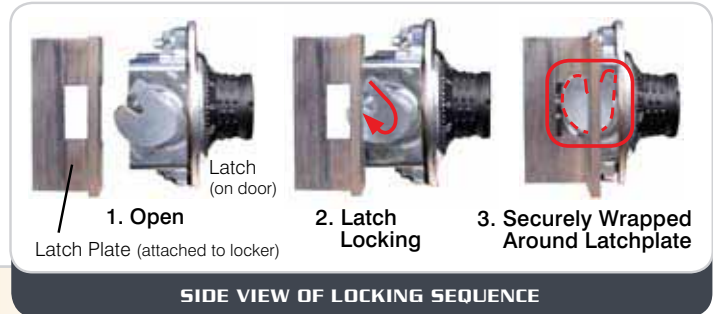


Uses same technology as automotive door lock systems

Wrap Around Latch™ Technology!

Enhanced security built-in combination lock - the best lock for single point latch lockers!

**FOR USE ON LOCKERS DESIGNED FOR 1690 SERIES LOCKS**  
Please consult your locker manufacturer



## EXCLUSIVE FEATURES

- Designed to tolerate locker misalignment making installation easier, and less likely to need adjustment over the life of the lock
- New latch wraps around a latch plate offering the best and most secure single point latch engagement
- Convenient, automatic slam-shut locking, combined with automatic and secure dead bolt locking

### Built-in Combination Lock Advantages

- Concealed mounting and rugged steel case
- Automatic combination reset once door is shut.
- Secure, three number combination is easy to dial
- Longer useful life with five different combinations – easily changed with the touch of a button, which maintains security for new students or employees
- Standard key control allows quick supervisory access
- End user registration and control charts provided to secure and simplify administration

### Product Options

- Metal dial available to deter vandalism; order number 1690MD
- Extension set available for doors with a thickness of 1 1/16" (17 mm) to 3/4" (19 mm); order number 1654-0320
- Customize with a color – five colors to choose from



- ADA Compliant Lock\*

Available as Model 1695MKADA (See pg. 17)



\*as defined on pg. 16

Videos available at [www.masterlock.com/school/video](http://www.masterlock.com/school/video)



Product Information



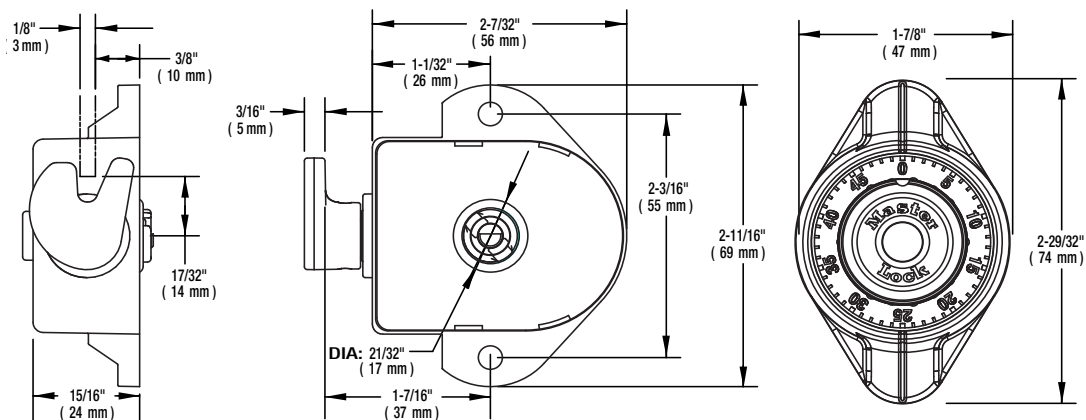
User Training



Administration Training

## DIMENSIONS

1690 shown. Required door thickness 0.03 - 0.125 in. (0.8 - 3.2 mm)



## SPECIFICATIONS

**Architectural Specifications:** Locks shall be a built-in combination lock with a rotational operating deadbolt latch that locks by wrapping around a stationary latch plate or post. Once open, re-locking shall operate by simply shutting the door, with no further operator action to lock the lock. Once locked, the latch shall not be moveable until the lock is properly opened. Locks shall have textured lipped dial design for easy-grip-and-pull operation. Locks shall have a 5 pin tumbler cylinder for supervisory key access. Locks shall have five (5) preset combinations. Locks shall have a random combination change pattern; no sequentially adjacent locks shall have the same combination change pattern. Locks shall be supplied with both a printed Control Chart and disc, containing the serial numbers and combinations. Master Lock #1690 for lockers hinged on right. For optional one-piece metal dial with non-slip finish specify Master Lock #1690MD.

# 1790 Series Built-in Keyed Lock for Single Point Wrap Around Latch™ Lockers

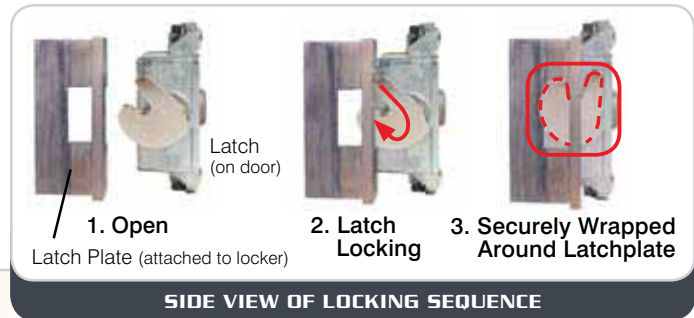


Enhanced security built-in keyed lock - the best lock for single point latch lockers!

**FOR USE ON LOCKERS DESIGNED FOR 1790 SERIES LOCKS**  
Please consult your locker manufacturer

Uses same technology as automotive door lock systems

**Wrap Around Latch™ Technology!**



## EXCLUSIVE FEATURES

- Designed to tolerate locker misalignment making installation easier, and less likely to need adjustment over the life of the lock
- New latch wraps around a latch plate offering the best and most secure single point latch engagement
- Convenient, automatic slam-shut locking, combined with automatic and secure dead bolt locking

### Built-in Keyed Lock Advantages

- Appropriate for lockers with multiple users who are assigned access for short time periods; i.e. at health clubs, gyms, and pools
- High security, 5-pin tumbler cylinder for superior pick resistance
- Concealed mounting and rugged metal case deter vandalism
- Two keys provided for each lock

### Product Options

- Keyed alike, master keyed and group keyed options available to provide complete flexibility to match a facility's requirements

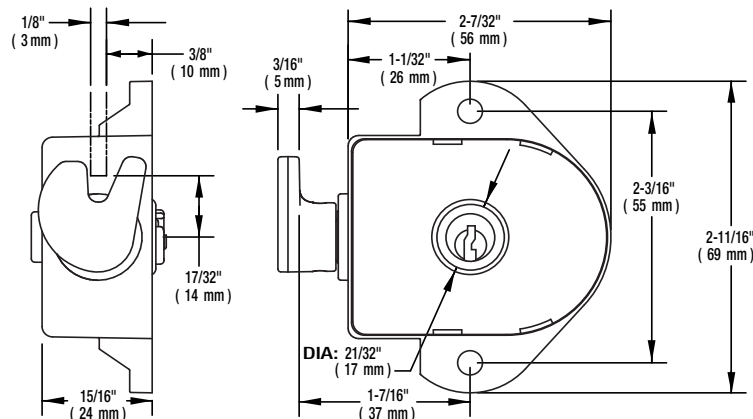
- ADA Compliant Lock\* Available as Model 1790ADA (See pg. 18)



\*as defined on pg. 16

## DIMENSIONS

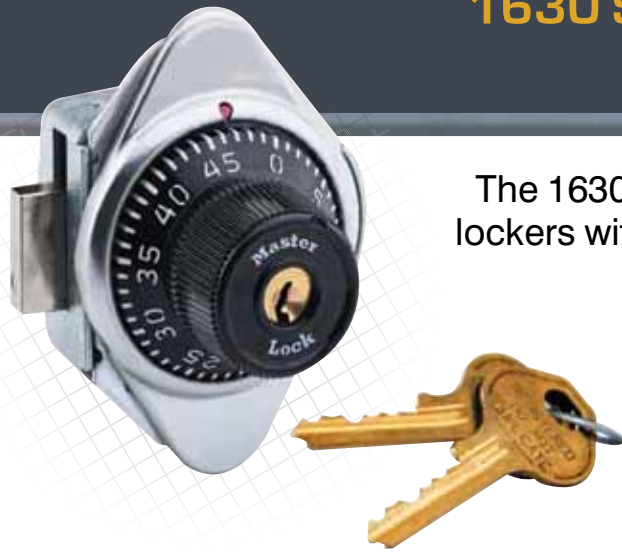
1790 shown. Required door thickness 0.02 - 0.188 in. (0.5 - 4.7 mm)



## SPECIFICATIONS

**Architectural Specifications:** Locks shall be a built-in keyed lock with a rotational operating deadbolt latch that locks by wrapping around a stationary latch plate or post. Once locked, the latch shall not be moveable until the lock is properly opened. Locks shall be key-operated with 5 pin tumbler cylinder with individual, group, or master keying [specifier must choose keying option]. Two(2) keys per lock and mounting hardware shall be included with each lock. For optional master keying, specify Master Lock #1790MK. For optional group keying, specify Master Lock #1790GK.

# 1630 Series Built-in Combination Lock for Lift Handle Lockers



The 1630 Series is the most popular built-in lock for lockers with gravity lift handles; it offers high security and convenient automatic locking.



## EXCLUSIVE FEATURES

- Vertical travel locking bolt engages lift handle locker mechanism
- Convenient, automatic locking
- Fits all lift handle lockers

### Built-in Combination Lock Advantages

- Concealed mounting and rugged steel case deter vandalism
- Secure, three number combination is easy to dial
- Longer useful life with five different combinations – easily changed with the touch of a button, which maintains security for new students or employees
- Standard key control allows quick supervisory access
- End user registration and control charts provided to secure and simplify administration

### Product Options

- Metal dial available to deter vandalism; order number 1630MD, 1631MD
- Model 1631 is available for left-handed doors
- Customize with a color – five colors to choose from



- ADA Compliant Lock\* Available as Model 1636MKADA (See pg. 17)



\*as defined on pg. 16

Videos available at [www.masterlock.com/school/video](http://www.masterlock.com/school/video)



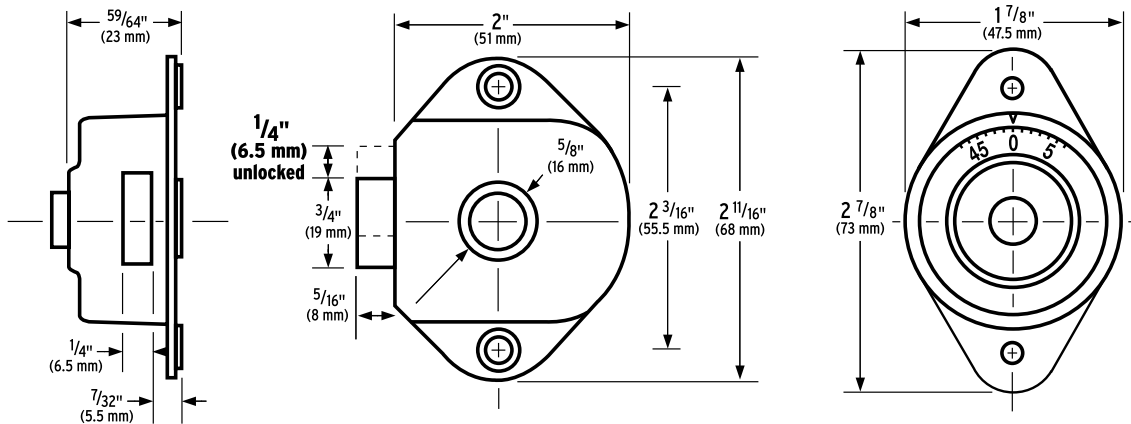
User Training



Administration Training

## DIMENSIONS

1630 shown. Required door thickness 0.03 - 0.125 in. (0.8 - 3.2 mm)



## SPECIFICATIONS

**Architectural Specifications:** Locks shall be built-in combination lock with vertically operating bolt. Locks shall automatically relock on door closure. Locks shall have 5 pin tumbler cylinder for supervisory access. Locks shall have five (5) preset combinations. Locks shall have random combination change pattern; no sequentially adjacent locks shall have the same combination change pattern. Locks shall be supplied with printed Control Chart of serial numbers and combinations and text file on disc. Master Lock #1630 for lockers hinged on right. Master Lock #1631 for lockers hinged on left. For optional one-piece metal dial with non-slip finish specify Master Lock #1630MD or #1631MD.



# 1652 Series Built-in Combination Lock for Single Point Horizontal Latch Lockers



The 1652 Series offers the longest fully retractable bolt in the industry with the convenience of an automatic locking spring bolt.



## EXCLUSIVE FEATURES

- Easy grip-and-pull, non-slip dial for one-handed operation
- High security with the longest bolt in the industry
- Full bolt retraction eliminates lockouts
- Springbolt action for convenient, automatic locking

### Built-in Combination Lock Advantages

- Concealed mounting and rugged steel case deter vandalism
- Secure, three number combination is easy to dial
- Longer useful life with five different combinations – easily changed with the touch of a button, which maintains security for new students or employees
- Standard key control allows quick supervisory access
- End user registration and control charts provided to secure and simplify administration

### Product Options

- Metal dial available to deter vandalism; order number 1652MD, 1653MD
- Brass escutcheon plate available to add an elegant appearance to wood locker doors; order number 1652BE or 1653BE
- Extension set available for doors with a thickness of 11/16" (17mm) to 3/4" (19mm); order number 1654-0320
- Model 1653 is available for left-handed doors
- Customize with a color – five colors to choose from



Videos available at [www.masterlock.com/school/video](http://www.masterlock.com/school/video)



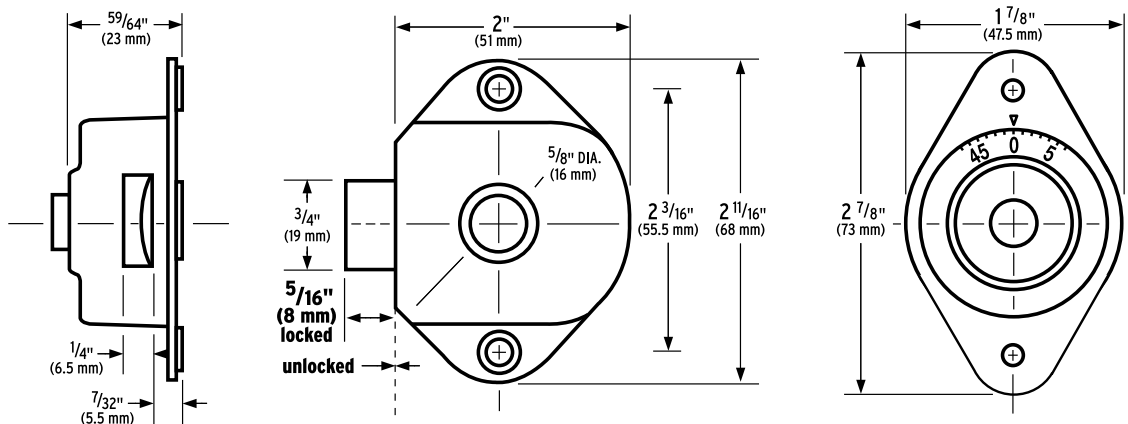
User Training



Administration Training

## DIMENSIONS

1652 shown. Required door thickness 0.03 - 0.125 in. (0.8 - 3.2 mm)



## SPECIFICATIONS

**Architectural Specifications:** Locks shall be built-in combination lock with horizontally operating spring bolt. Locks shall have textured, lipped dial design for easy-grip-and-pull operation. Locks shall have five (5) pin tumbler cylinder for supervisory access. Locks shall have five (5) preset combinations. Locks shall have random combination change pattern; no sequentially adjacent locks shall have the same combination change pattern. Locks shall be supplied with printed Control Chart of serial numbers and combinations and text file on disc. Master Lock #1652 for lockers hinged on right. Master Lock #1653 for lockers hinged on left. For optional metal, easy-grip-and-pull dial with non-slip finish specify Master Lock #1652MD or #1653MD.

# 1654 Series Built-in Combination Lock for Horizontal Latch Box Lockers



The 1654 Series is the most popular lock for multiple-tier and box lockers with pull or friction latch handles; it offers high security and convenient automatic locking.



## EXCLUSIVE FEATURES

- Easy grip-and-pull, non-slip dial for one-handed operation
- Horizontal travel, standard length locking bolt retracts flush with lock body
- Spring bolt action for convenient, automatic locking
- Ideal for box or multiple-tiered lockers

### Built-In Combination Lock Advantages

- Concealed mounting and rugged steel case deter vandalism
- Secure, three number combination is easy to dial
- Longer useful life with five different combinations – easily changed with the touch of a button, which maintains security for new students or employees
- End user registration and control charts provided to secure and simplify administration
- Standard key control allows quick supervisory access

### Product Options

- Metal dial available to deter vandalism; order number 1654MD, 1655MD
- Brass escutcheon plate available to add an elegant appearance to wood locker doors; order number 1654BE or 1655BE
- Extension set available for doors with a thickness of 11/16" (17 mm) to 3/4" (19 mm); order number 1654-0320
- Model 1655 is available for left-handed doors
- Customize with a color – five colors to choose from.



Videos available at [www.masterlock.com/school/video](http://www.masterlock.com/school/video)



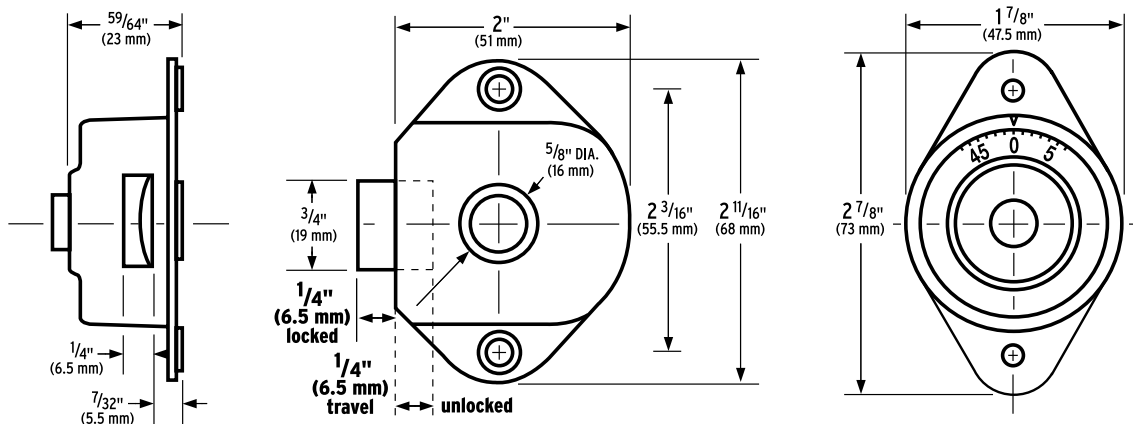
User Training



Administration Training

## DIMENSIONS

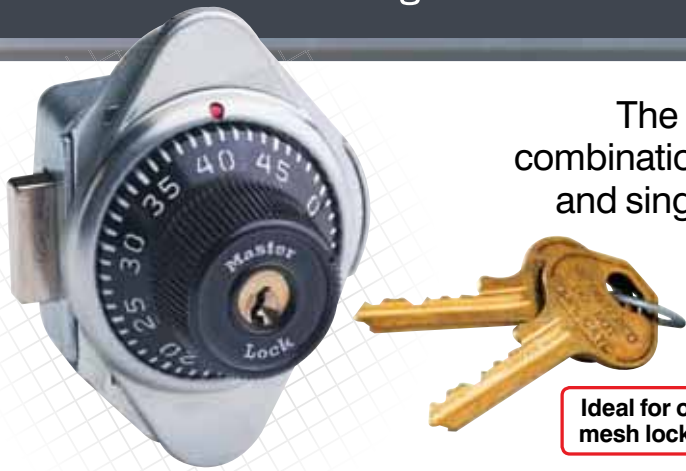
1654 shown. Required door thickness 0.03 - 0.125 in. (0.8 - 3.2mm)



## SPECIFICATIONS

**Architectural Specifications:** Locks shall be built-in combination lock with horizontally operating spring bolt. Locks shall have textured, lipped dial design for easy-grip-and-pull operation. Locks shall have 5-pin tumbler cylinder for supervisory access. Locks shall have five (5) preset combinations. Locks shall have random combination change pattern; no sequentially adjacent locks shall have the same combination change pattern. Locks shall be supplied with printed Control Chart of serial numbers and combinations and text file on disc. Master Lock #1654 for lockers hinged on right. Master Lock #1655 for lockers hinged on left. For optional metal, easy-grip-and-pull dial with non-slip finish specify Master Lock #1654MD or #1655MD.

# 1670 Series Built-in Combination Deadbolt Lock for Lift Handle, Single Point Horizontal Latch and Box Lockers



The 1670 Series is the highest security, built-in combination deadbolt lock for lift handle, turn handle and single point latch/box horizontal latch lockers.

**Ideal for open mesh lockers!**



1670 LOCKED



1670 UNLOCKED

## EXCLUSIVE FEATURES

- Horizontal bolt travel provides maximum engagement to latch mechanism
- Deadbolt locking is ideal for open mesh and ventilated lockers with access to back of lock
- Manual action requires the dial to be turned to relock door
- Fits all locker styles (with the exception of the Wrap Around Latch™ designed lockers)

### Built-In Combination Lock Advantages

- Concealed mounting and rugged steel case deter vandalism
- Secure, three number combination is easy to dial
- Longer useful life with five different combinations – easily changed with the touch of a button, which maintains security for new students or employees
- Standard key control allows quick supervisory access
- End user registration and control charts provided to secure and simplify administration

### Product Options

- Metal dial available to deter vandalism; order number 1670MD, 1671MD
- Brass escutcheon plate available to add an elegant appearance to wood locker doors; order number 1670BE or 1671BE
- Extension set available for doors with a thickness of 11/16" (17mm) to 3/4" (19mm); order number 1654-0320
- Model 1671 is available for left-handed doors
- Customize with a color – five colors to choose from.



- ADA Compliant Lock\* Available as Model 1676MKADA (See pg. 17)



\*as defined on pg. 16

Videos available at [www.masterlock.com/school/video](http://www.masterlock.com/school/video)



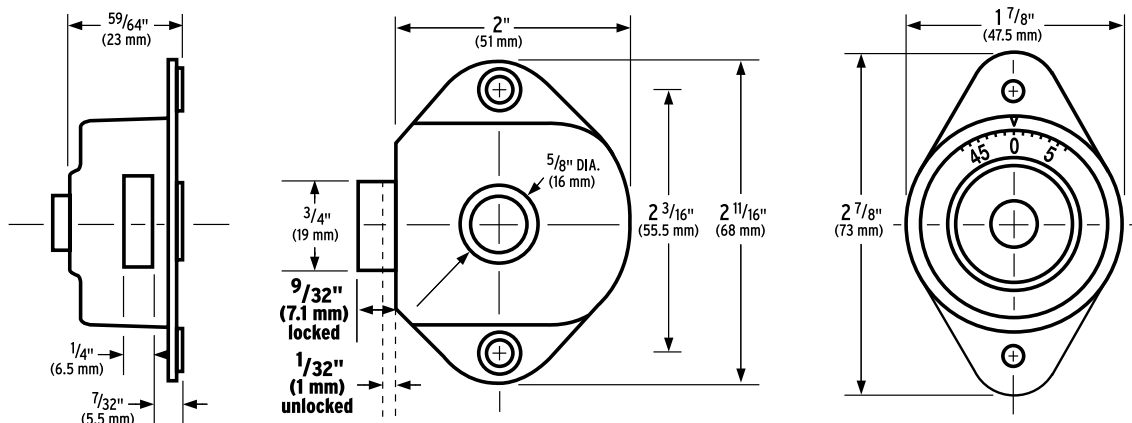
User Training



Administration Training

## DIMENSIONS

1670 shown. Required door thickness 0.03 - 0.125 in. (0.8 mm - 3.2 mm)



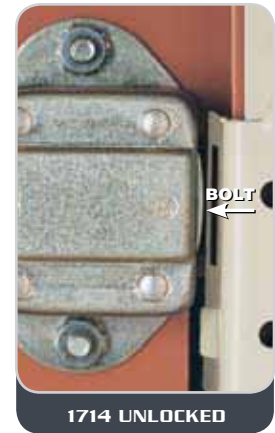
## SPECIFICATIONS

**Architectural Specifications:** Locks shall be built-in combination lock with horizontally operating deadbolt. Locks shall manually unlock and re-lock. Locks shall have 5 pin tumbler cylinder for supervisory access. Locks shall have five (5) preset combinations. Locks shall have random combination change pattern; no sequentially adjacent locks shall have the same combination change pattern. Locks shall be supplied with printed Control Chart of serial numbers and combinations and text file on disc. Master Lock #1670 for lockers hinged on right. Master Lock #1671 for lockers hinged on left. For optional one-piece metal dial with non-slip finish specify Master Lock #1670MD or #1671MD.

# 1710 & 1714 Series Built-In Key Operated Locks for Lift Handle, Single Point Horizontal Latch and Box Lockers



Perfect for horizontal and single point lockers with multiple users who are assigned access for short time periods.



## EXCLUSIVE FEATURES

### Model 1710 Exclusive Features

- Manual deadbolt locking for the highest security
- Ideal for ventilated and open mesh lockers

### Model 1714 Exclusive Features

- Automatic locking springbolt for slam shut convenience
- Ideal for box lockers

### Built-In Keyed Lock Advantages

- Designed for multiple users with assigned access for short time periods; i.e. at health clubs, gyms, and pools
- High security, 5-pin tumbler cylinder for superior pick resistance
- Concealed mounting and rugged steel case deter vandalism
- Two keys provided for each lock
- Each model fits both left handed and right handed doors

### Product Options

- Keyed alike, master keyed and group keyed options available to provide complete flexibility to match a facility's requirements

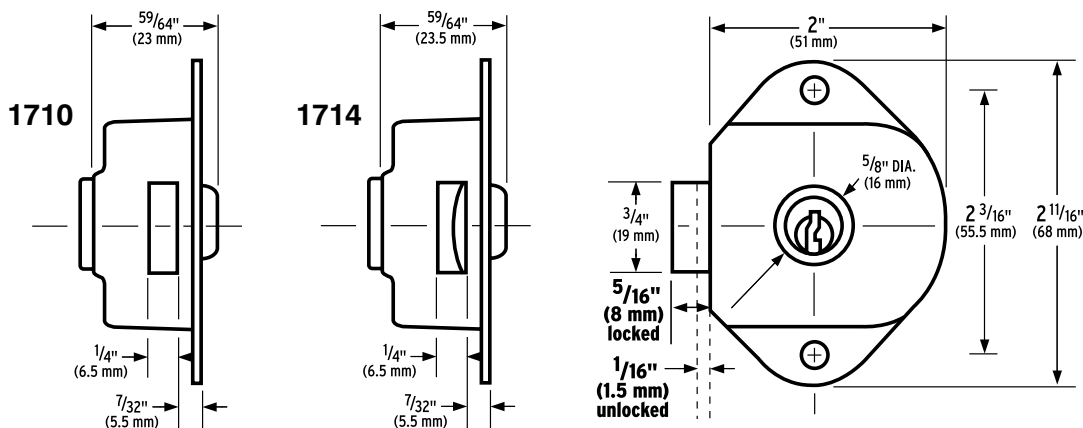
- ADA Compliant Keyhead available\* (See pg. 18)



\*as defined on pg. 16

## DIMENSIONS

1710 and 1714 shown. Required door thickness 0.02 - 0.188 in. (0.5 - 4.7 mm)



## SPECIFICATIONS

**Architectural Specifications:** Locks shall be key-operated with 5 pin tumbler cylinder with individual, group, or master keying [specifier must choose keying option]. Two(2) keys per lock and mounting hardware shall be included with each lock. Specify Master Lock #1710 for deadbolt operation or Master Lock #1714 for spring bolt operation. For optional group keying, specify Master Lock #1710GK or Master Lock #1714GK. For optional master keying, specify Master Lock #1710MK or Master Lock #1714MK.

# SmoothSpin™ 2076 Series Combination Padlocks

Patent  
Pending



SmoothSpin™ padlocks bring style and convenience to today's school environment

**Color padlocks show school spirit!**

## EXCLUSIVE FEATURES

- **BlockGuard® Anti-Shim Technology** – These enhanced combination locks deter shimming, a method of violating a lock by inserting a specially designed shim tool into its latch mechanism. BlockGuard® has unique flat latch technology that actually blocks typical shim tools from opening the lock – deterring break-ins.
- SmoothSpin™ provides easy operation – fingertip twist or thumb-turn dialing
- Large numbers and increments makes finding combinations easy
- Durable die-cast zinc body and dial shields locking mechanism from physical attack
- 40 number, three-number dialing provides thousands of possible combinations
  - Dial automatically locks under shackle tension to prevent “feeling out” the combination
  - Combination automatically scrambles when lock is closed to prevent accidental opening
- Hardened steel shackle resists cutting and prying
  - Fits lockers with a padlock eye of at least 5/16" (8mm) diameter
- Key control feature is standard and provides for supervisory access



### Product Options

- Blank dialing instruction tags (1500-0590)
  - For administrative redistribution of locks

Videos available at [www.masterlock.com/school/video](http://www.masterlock.com/school/video)

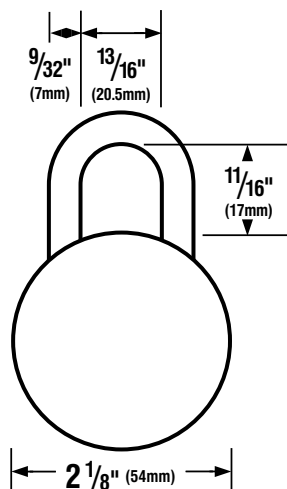


Product  
Information



**Easy operation of this lock makes it ideal for users with disabilities.**

## DIMENSIONS



# 1502, 1525 & 1525EZRC Series General Security Combination Padlocks

The world's most popular combination padlocks due to their durability, reliability, convenience and affordability.

**NOW with BlockGuard® Anti-Shim Technology!**



Patent Pending

1525

1502

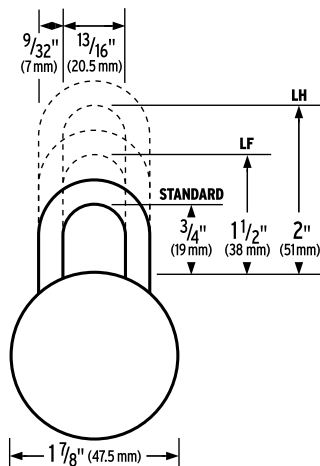


## EXCLUSIVE FEATURES

### Product Features

- **BlockGuard® Anti-Shim Technology** – These enhanced combination locks deter shimming, a method of violating a lock by inserting a specially designed shim tool into its latch mechanism. BlockGuard® has unique flat latch technology that actually blocks typical shimming tools from opening the lock – deterring break-ins.
- Hardened steel shackle resists cutting and prying
- Double-reinforced stainless steel case with cold-rolled steel construction shields locking mechanism from physical attack
- 40 number, three-number dialing provides thousands of possible combinations
- Dial automatically locks under shackle tension to prevent “feeling out” the combination
- Combination automatically scrambles when lock is closed to prevent accidental opening
- Fits lockers with a padlock eye of at least 5/16" (8mm) diameter
- Model 1525 has an additional feature of key control for supervisory access

## DIMENSIONS



## PRODUCT OPTIONS & ACCESSORIES

- Longer shackle lengths available for special applications



1502 or 1525

1502LF or 1525LF

1502LH or 1525LH

- 1525EZRC Simple Combos™ for easy-to-dial combinations

**Combinations include ONLY the numbers printed on the dial for your lock combination!**

Easy to dial, easy to remember!



- Custom logo or text



- Colored dials



- Bumpers – Reduce locker wear/less noise: black (1500-0620), red (1504-0620) or blue (1506-0620)



- Combinations in pairs or alike
  - Order 2 or more locks with the same combination
  - Allows student using multiple locks to use same combination for each lock
- Special back case printing
  - Your custom text engraved on lock backs
- Blank dialing instruction tags (1500-0590)
  - For administrative redistribution of locks

Videos available at [www.masterlock.com/school/video](http://www.masterlock.com/school/video)



Product Information



User Training



Administration Training

# 2002 & 2010 Series High Security Combination Padlocks



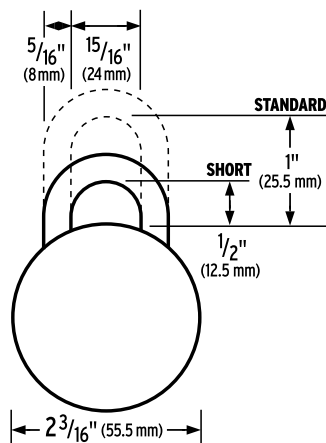
The highest security combination padlock available, providing three times the security of competitive padlocks.

## EXCLUSIVE FEATURES

### Product Features

- Dual ball bearing, deadbolt locking mechanism resists hammering and prying
- Hardened, boron alloy shackle resists cutting and prying
- Reinforced, stainless steel outer case with massive, die-cast zinc inner case protects locking mechanism
- Fully recessed dial resists knock-off and prying attempts
- 40 number, three number combination provides thousands of possible combinations
- Dial automatically locks under shackle tension to prevent "feeling out" the combination
- Combination automatically scrambles when lock is closed to prevent accidental re-opening
- Fits lockers with a padlock eye of at least 11/32" (9mm) diameter
- Model 2010 has an additional feature of key control for supervisory access

## DIMENSIONS



## WHAT'S IN YOUR LOCKER?

Isn't It Time You Upgraded Your Locks?



**SECURE & PROTECT VALUABLES!**

- Electronics
- Cell Phones
- Laptops
- Sports Equipment
- and Much More!

### Product Options

- Short shackle available for recessed handle lockers



2002 or 2010



2002S or 2010S



Shackle fits a padlock eye of at least 11/32" (9mm) diameter

Videos available at [www.masterlock.com/school/video](http://www.masterlock.com/school/video)



Product Information



User Training



Administration Training

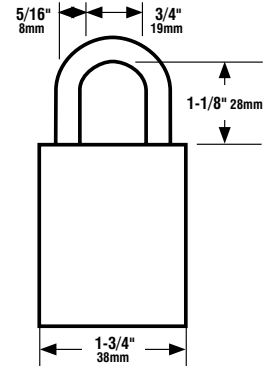
# A1205 Series High Security Solid Aluminum Padlocks

**AMERICAN LOCK**



Solid anodized aluminum body with hardened, chrome plated, and boron alloy steel shackle durability. Rekeyable.

## DIMENSIONS



## EXCLUSIVE FEATURES

### Product Features

- Dual ball bearing locking mechanisms provides best pry resistance
- Corrosion resistant solid aluminum
- Case hardened boron alloy steel shackles resist cutting
- Pick-resistant 5-pin cylinders – 1300 student keys per master key system
- Model A1265 available with 6-pin cylinders – 10,000 student keys per master key system
- Model A1105/A1165 available with 1/4" (6.5mm) shackle

### Product Options

- Laser engravable for easy identification
- Available in nine colors



For more information: [www.americanlock.com](http://www.americanlock.com)

# 3 and 11 Series Laminated Steel Padlocks



Reinforced laminated steel lock bodies with double lever locking mechanisms and pin tumbler key security.

## EXCLUSIVE FEATURES

### Product Features

- Dual lever locking mechanisms provide extra pry resistance
- Pin tumbler key security: 4 pin cylinders – 248 student keys per master keyed system
- Hardened steel and alloy shackles for extra cut resistance
- Proprietary rustproofing for longer life
- 2 keys provided for each lock

### Model 3 Exclusive Feature

- Has a removable key when lock is opened or closed

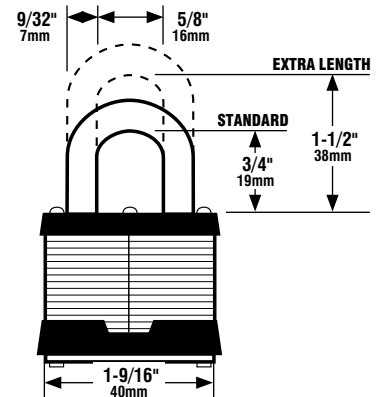
### Model 11 Exclusive Feature

- Key retaining when lock is open

### Product Options

- Available in 2 shackle lengths
- Brass shackle option available
- Keyed alike and master key systems available

## DIMENSIONS



## Key Storage Security Solution!

Heavy duty key cabinets and lock boxes for secure & effective key system management.

Refer to our website for more information: [www.masterlock.com](http://www.masterlock.com)





## ADA Compliance Comparison Chart



**ADA**  
Inspired

Master Lock Product #	Meets ADA Compliance*	Reduced Physical Abilities	Reduced Cognitive Abilities	See Page
<b>BUILT-IN LOCKS</b>				
1636MKADA	✓	✓	✓	17
1676MKADA	✓	✓	✓	17
1695MKADA*	✓	✓	✓	17
1710ADA	✓	✓	✓	18
1790ADA*	✓	✓	✓	18
<b>PORTABLE LOCKS</b>				
2650™ PushKey		✓	✓	16
1525EZRC			✓	13
2076 SmoothSpin™		✓		12

\*Patent Pending



## \*ADA Inspired Defined

Introducing our ADA Inspired locks: Our Mainstream Series.™ These locks are designed to be easy to use and assist those with physical or cognitive challenges operate a lock on their own. Please consult the chart on the left to help select an appropriate lock.



## \*ADA Compliance Defined

As a subset of ADA Inspired locks, we also offer a line of locks designed specifically to meet the US Government 28 CFR Part 36 "ADA Standards for Accessible Design." These guidelines state the following requirements regarding locks for ADA use:

- Easy to grasp with one hand
- Does not require tight grasping, pinching, or twisting of the wrist to operate
- No greater than 5 lbf to operate

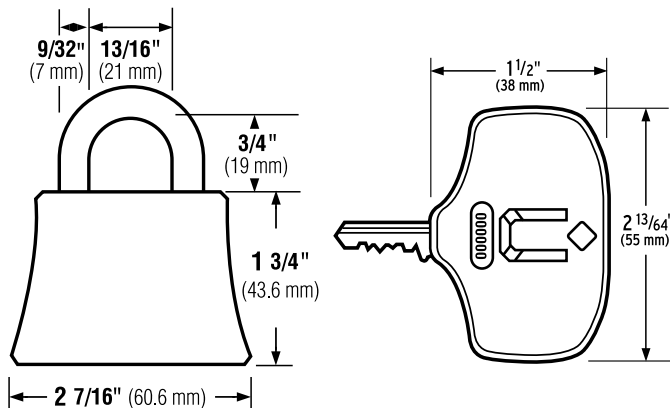
These locks achieve these requirements through the use of a specially designed keyhead and the simple operation of the lock. The large flat keyhead makes the key easy to grip for those with extreme joint pain. For those with clenched fist dexterity, the flat keyhead fits securely between their fingers. The operation of the lock can be achieved by a simple bumping action to the ADA keyhead to both open and close the lock without the need of tight grasping, pinching, or twisting. Also, the lock requires less than 5 lbf to operate. In practice, many of these locks are used in the field for ADA applications. View ADA student training videos at [masterlock.com/school/training/product-list.html](http://masterlock.com/school/training/product-list.html).

As needs and requirements vary, please consult the local authority for use of any of these locks for a specific application.

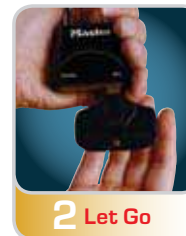
## PushKey™ 2650 Series Portable Padlock



### DIMENSIONS



The Model 2650 PushKey™ is a groundbreaking portable lock. Simply insert key - no turning!



### EXCLUSIVE FEATURES

- ADA Inspired - easy to use
- No key turning
- Flared lock body provides easy grip
- Less than 5 pounds of pull down force needed
- Fits most school lockers
- 4 keys included - 2 with large keyhead covers
- Exclusive key guide directs key to keyway



# 1636MKADA, 1676MKADA & 1695MKADA Series Built-in Combination Locks



Use 1636MKADA for lift handle lockers.

**Works on any locker where 1630 Series locks could be used.**

Use 1676MKADA for lift handle, turn handle and single point latch/box horizontal latch lockers

**Works on any locker where 1670 Series locks could be used.**



Use 1695MKADA for single point Wrap Around Latch™ lockers.

**Works on any locker where 1690 Series locks could be used.**

## EXCLUSIVE FEATURES

### 3 Ways to Open Lock!

- **Student Key (for ADA student)**
  - Two keys provided with ADA keyheads
  - Key only opens one lock
- **Master Key (for supervisors)**
  - Each master key opens all ADA locks in your system
  - Each master key system has between 475-592 key changes
- **Combination (for use like other combo locks in your system)**
  - 5 combinations built in for reuse year after year
  - Automatic combination reset once door is shut
- Allows flexibility of using locker for standard use (combination) or ADA use (student key)
- Same look helps mainstream ADA students
- Key code is visible inside keyhead
- Same concealed mounting and rugged metal case as the 1630 (pg. 7), 1670 (pg. 10) and 1690 (pg. 5)

### Options

- Metal dial available to deter vandalism; order number 1636MKMDADA, 1676MKADA or 1695MKMDADA
- Customize with a color – five colors to choose from



Shown Here: 1695MKADA



Shown Here: 1636MKADA

Videos available at [www.masterlock.com/school/video](http://www.masterlock.com/school/video)



Product Information



User Training

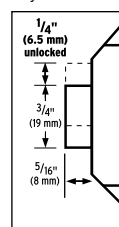


Administration Training

## DIMENSIONS

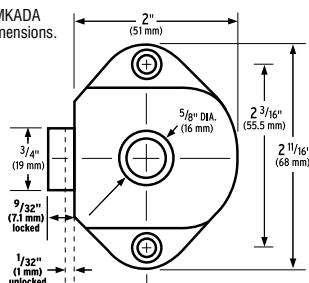
Required door thickness 0.03 - 0.125 in. (0.8 - 3.2 mm)

1636MKADA and 1676MKADA have same lock body dimensions. Only the bolt is different.



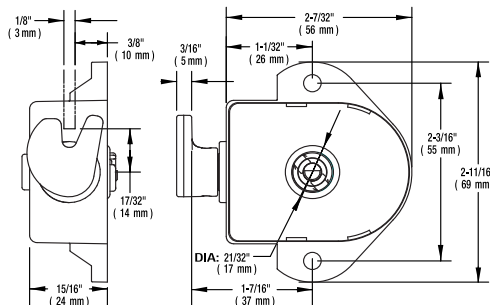
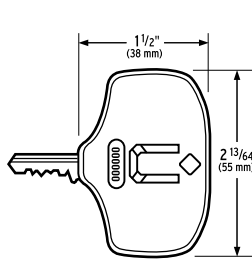
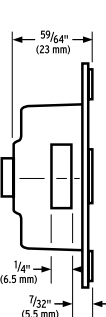
1636MKADA

See page 7 (1630 Series) for dial dimensions



1676MKADA

See page 10 (1670 Series) for dial dimensions



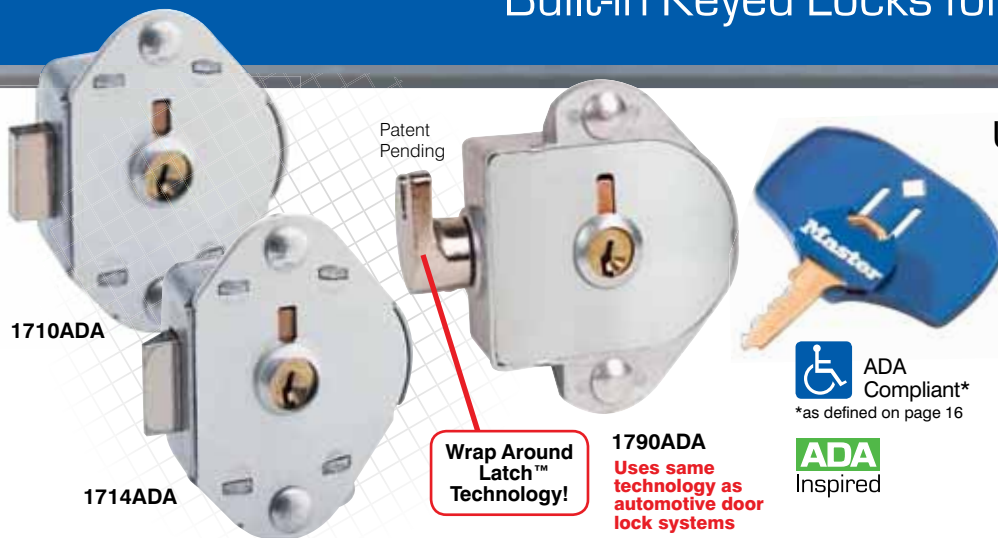
1695MKADA

See page 5 (1690 Series) for dial dimensions

## SPECIFICATIONS

**Architectural Specifications:** Locks shall be both key operated and combination operated. Key operation shall use a 5 pin tumbler cylinder with individual and master keying capabilities. Locks shall have five (5) preset combinations. Locks shall have a random combination change pattern; no sequentially adjacent locks shall have the same combination change pattern. Locks shall be supplied with a printed Control Chart, containing the serial numbers and combinations. For optional one-piece metal dial specify Master Lock number 1636MKMDADA, 1676MKMDADA, or 1695MKMDADA. Add to the front of specifications as follows; For 1636MKADA: Locks shall be built-in combination lock with vertically operating bolt. For 1676MKADA: Locks shall be built-in combination lock with horizontally operating deadbolt. For 1695MKADA: Locks shall be a built-in combination lock with a rotational operating deadbolt latch that locks by wrapping around a stationary latch plate or post.

# 1710ADA, 1714ADA & 1790ADA Series Built-in Keyed Locks for All Locker Types



Use 1710ADA for single point horizontal latch or lift handle lockers.

**Works on any locker where 1710 Series locks could be used.**

Use 1714ADA for single point horizontal latch or box lockers.

**Works on any locker where 1714 Series locks could be used.**

Use 1790ADA for Wrap Around Latch™ lockers.

**Works on any locker where 1790 Series locks could be used.**



## EXCLUSIVE FEATURES

- Two keys provided for each lock
- Keys and keyheads are replaceable
- Key code is visible inside keyhead

### Model 1710ADA Exclusive Features

- Manual deadbolt locking for horizontal and lift handle latch lockers

### Model 1714ADA Exclusive Features

- Spring bolt locking mechanism available for box and single point latch lockers

### Model 1790ADA Exclusive Features

- Designed to tolerate locker misalignment; easier installations and less adjustments for the life of the lock
- Automatic slam shut with secure deadbolt locking for Wrap Around Latch™ lockers
- Allows flexibility of adapting locker for ADA usage whenever needed
- New latch wraps around a latch plate offering the best and most secure single point latch engagement

### Built-in Keyed Lock Advantages

- High security, 5-pin tumbler cylinder for superior pick resistance
- Concealed mounting & rugged metal case deter vandalism
- 1710ADA and 1714ADA fits both left handed and right handed doors

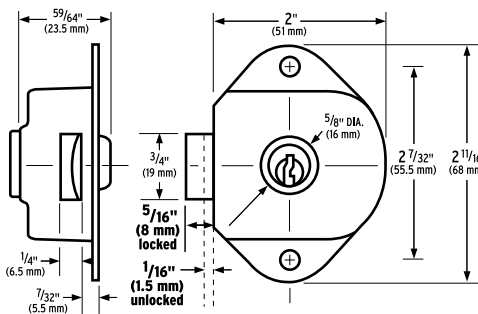


### Additional Options

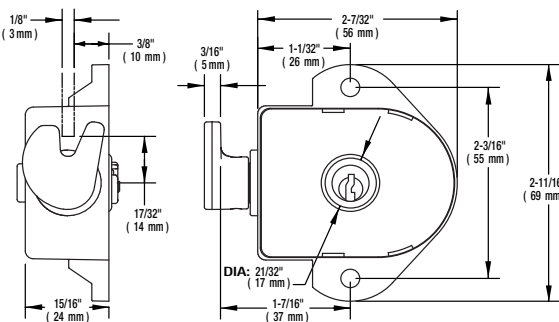
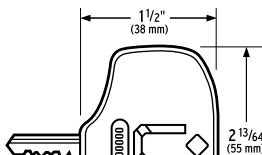
- Keyhead available individually, order # 1710-43959
- Keyed alike, master keyed and group keyed options available to provide complete flexibility to match a facility's requirements

## DIMENSIONS

Required door thickness 0.03 - 0.125 in. (0.8 - 3.2 mm)



1710ADA



1790ADA

## SPECIFICATIONS

**Architectural Specifications:** Locks shall be key-operated with 5 pin tumbler cylinder with individual, group, or master keying [specifier must choose keying option]. Two(2) keys, one(1) ADA blue key head, and mounting hardware shall be included with each lock. Specify Master Lock #1710ADA for horizontal deadbolt latching, Master Lock #1714ADA for horizontal spring bolt latching, or Master Lock #1790ADA for rotational deadbolt latching. For optional master keying, specify Master Lock #1710MKADA, Master Lock #1714MKADA, or Master Lock #1790MKADA. For optional group keying, specify Master Lock #1710GKADA, Master Lock #1714GKADA, or Master Lock #1790GKADA.

# United States Sales Representatives

**1 Robert Allgood**  
281-286-7519  
Tim Killins  
281-282-0287

**2 Mike Andreas**  
412-372-6840  
Kurt D. Wolfe  
412-429-8442

**3 David Badami**  
631-385-3244  
Jeff Saladucha  
201-447-1209

**4 Mike Barnett**  
727-724-1916

**5 Steve Guerrero**  
720-350-4076

**6 Rod Britt**  
503-694-6349

**7 Robert W. Burklow**  
615-799-1937

**8 Gary Humphrey**  
214-697-1022

**9 Mark Evans**  
804-550-9137

**10 Ray Green**  
847-870-0247  
Brian Reed  
847-458-0854

**11 Steve Lichtenberger**  
619-741-9655

**12 Jim Henson**  
501-753-2218

**13 Bob Hoeynck**  
Dan Hoeynck  
314-752-5306  
Tom Hoeynck  
314-909-4114

**14 Ken Hollenbeck**  
480-706-0097

**15 Richard Hogan**  
732-972-1394  
Walt Weaver  
908-362-8880

**16 Brian Johnson**  
612-384-4592

**17 David R. Johnson**  
781-444-6265  
Russ Griswold  
203-597-9543

**18 Kim Wickstrum**  
650-333-6146

**19 Pat Mulcahy**  
Ralph Reid  
913-829-9310

**20 Todd McCormick**  
940-230-0756

**21 Jay Norton**  
410-544-3481

**22 Tom Pfaff**  
801-263-7792

**23 Jeff Rankins**  
715-834-9048

**24 James H. Ross**  
585-223-8337

**25 Tony Saggese**  
215-542-0360

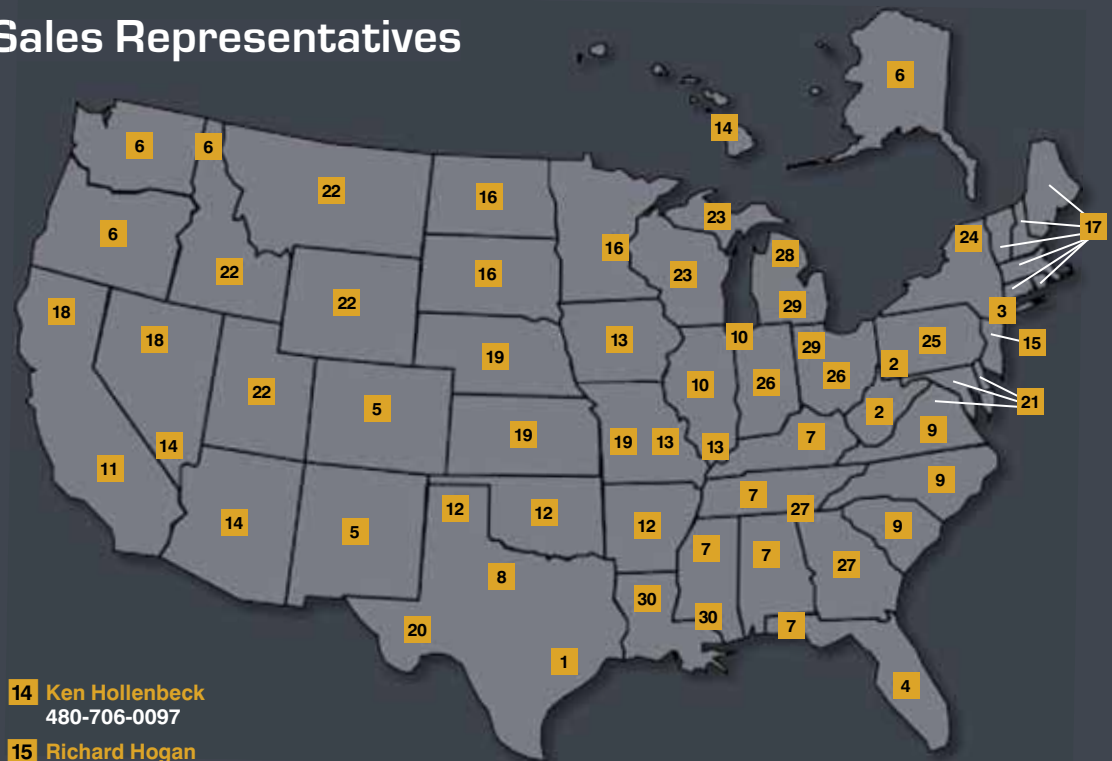
**26 Steve Schilling**  
740-929-2933  
Brian Schilling  
614-856-9268  
Brian Henry  
330-760-9040

**27 Jon Snyder**  
770-933-9860

**28 Chris Tague**  
517-887-3390

**29 Kim Vallade**  
517-265-2602

**30 Ted Reynolds**  
972-394-1429



## UNMATCHED SERVICE

Master Lock has a nationwide network of local sales representatives, locker and school supply distributors. Our factory-trained sales representatives provide expert planning, product selection, lock management and support services. Master Lock sells through locker

distributors that specialize in locker installation, service and repair. The school supply distributors service educational customers by consolidating multiple, related products.

## COMPLETE SUPPORT

Master Lock provides a printed chart of every lock serial number and combination in an installation. Facility administration can use the printed chart to record locker assignments and the corresponding combination.

Or, management can use the combination chart data files and upload the information directly to LockerManager®. Replacement or additional control charts, printed copies or data fileshare available to registered end users.

## CONTROLLED SECURITY

Security management is crucial to any installation. Therefore, Master Lock registers authorized end users and maintains installation records in an extensive database. These records make it easy to expand your system, eliminate duplicate lock serial numbers within a system and disperse control keys by zip

code to avoid key crossover between schools. Master Lock provides control keys with the original installation of a key controlled lock system. The keys provide quick, supervisory access to any lock in the system. Replacement keys are only available to registered end users, directly from Master Lock.