



511 SOUTH 7TH STREET
DELANO MN 55328
Phone: 763.972.2981
Fax: 763.972.2911

www.industriallouvers.com
ilinfo@industriallouvers.com

MODEL ES200

STANDARD CONSTRUCTION

Blades to be .063" extruded aluminum 6063 mounted on 2" x 2" x 1/4" aluminum support angles.

Finish to be mill.

INSTALLATION

Model ES200 should be installed in accordance with manufacturers recommended attachment method and in accordance with state and federal building codes.

WARRANTY

All materials and workmanship are warranted for a period of 1 year from date of completion.

MAINTENANCE

None required.

FEATURES

- All sizes are custom fabricated to meet project requirements.
- Vertical Blades
- Clip angles for installation.

OPTIONAL ACCESSORIES

Many optional accessories to the basic design are available at an additional cost. They include:

- Hinged access panels.
- Cap flashing at head.
- Mitered or Box corners
- Anodized or Kynar finish

Please contact the factory for other special requirements.

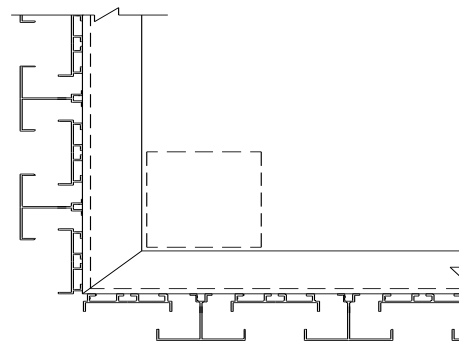
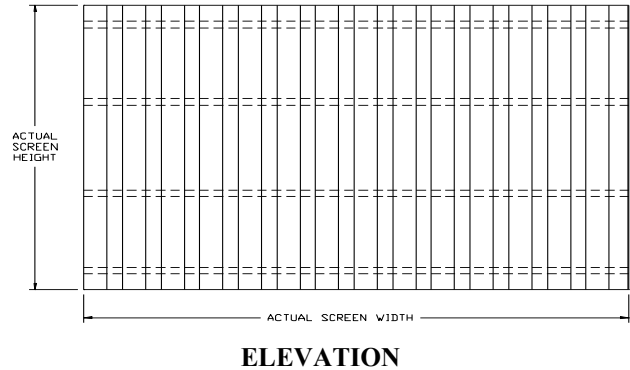
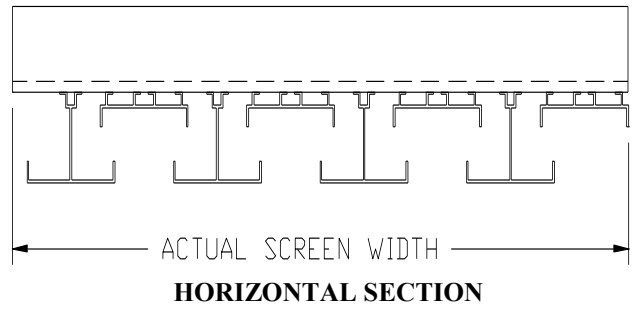
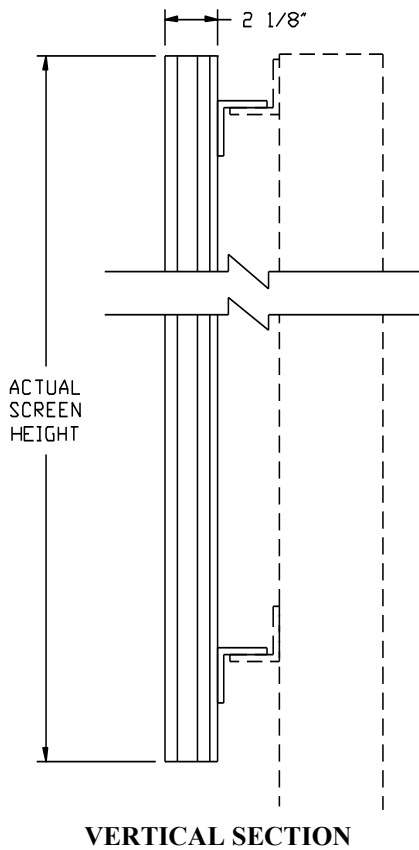
SUGGESTED SPECIFICATIONS

Furnish and install where indicated on the drawings ILI equipment screen Model ES-200 screen as manufactured by Industrial Louvers, Inc., Delano, MN. Vertical blades shall be of .063" extruded aluminum and supported by 2" x 2" x 1/4" aluminum angles.

CATALOG NO. ES200

Rev: AUG. 2010

MODEL ES200



ACCESSORIES:

- FINISH _____
- COLOR _____
- OTHER _____

ITEM NO.	QTY	SIZE		Actual <input type="checkbox"/>	M.O. <input type="checkbox"/>	MULLION TYPE	NO. OF SECTIONS	REMARKS
		WIDTH	HEIGHT					

PROJECT _____ REPRESENTATIVE _____

LOCATION _____ IJI JOB NO. _____ REP NO. _____

ARCH/ENGR. _____ Industrial Louvers, Inc. Phone: 763-972-2981
511 South 7th Street Fax: 763-972-2911
Delano, MN 55328

CONTRACTOR _____

DATE _____ CATALOG NO. ES200 Rev: AUG. 2010