



511 SOUTH 7TH STREET  
DELANO MN 55328  
**Phone: 763.972.2981**  
Fax: 763.972.2911

[www.industriallouvers.com](http://www.industriallouvers.com)  
[ilinfo@industriallouvers.com](mailto:ilinfo@industriallouvers.com)

# MODEL ST SERIES SUNSHADE

## STANDARD CONSTRUCTION

- Blades to be fabricated from 6063-T6 extruded aluminum tubes, minimum wall thickness .081"
- Outriggers fabricated from 6063-T6 extruded aluminum flat bar. Custom shapes & sizes available.
- Fascia to be fabricated from 6063-T6 extruded aluminum tube, minimum wall thickness .125".
- Suspension rods/cables available upon request.
- Finish to be mill. (Kynar and anodized finishes available upon request).

## INSTALLATION

Model ST SERIES should be installed in accordance with manufacturers recommended attachment method and in accordance with state and federal building codes.

## WARRANTY

All materials and workmanship are warranted for a period of 1 year from date of completion.

## MAINTENANCE

None required.

## FEATURES

- All sizes are custom fabricated to meet project requirements.
- Straight or segmented blades
- Mounting brackets

Please contact the factory for other special requirements.

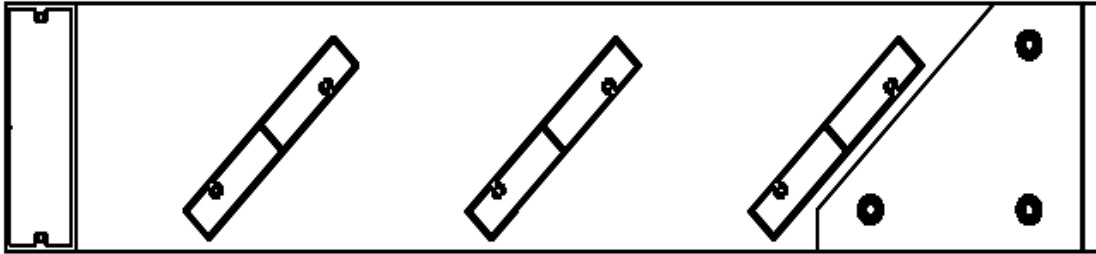
## SUGGESTED SPECIFICATIONS

Furnish and install where indicated on the drawings ILI extruded aluminum sunshade Model ST SERIES as manufactured by Industrial Louvers, Inc., Delano, MN. Blades to be fabricated from 6063-T6 extruded aluminum tubes, minimum wall thickness .081". Fascia shall be fabricated from .125" extruded aluminum tube alloy 6063. Outriggers shall be fabricated from flat bar material with a min. thickness of .25". Suspension brackets (where required) shall be of size sufficient to support specified wind load requirements. Mounting brackets shall be shipped loose.

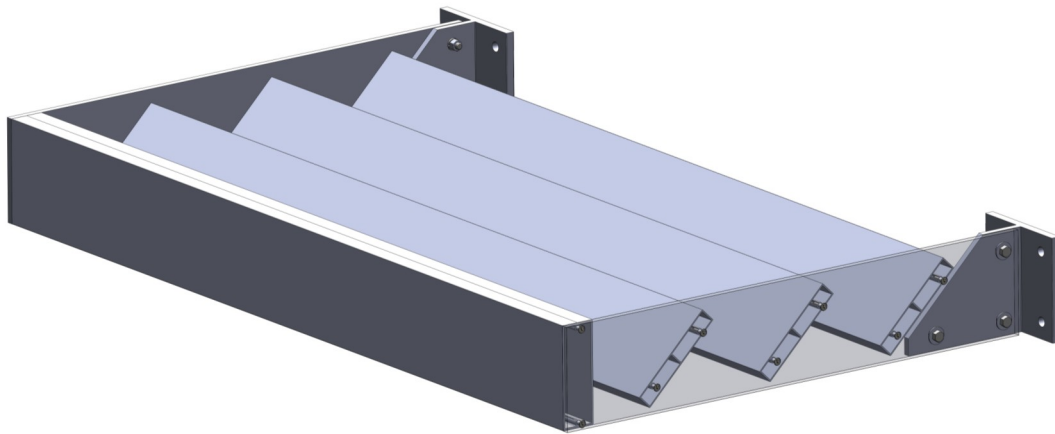
CATALOG NO. ST SERIES

Rev: AUG. 2010

# MODEL ST SERIES



STANDARD HORIZONTAL SECTION



STANDARD ASSEMBLY

\* CUSTOM SIZES AVAILABLE UPON REQUEST

CATALOG NO. ST SERIES

Rev: AUG. 2010



511 SOUTH 7TH STREET  
DELANO MN 55328

Phone: 763.972.2981

Fax: 763.972.2911

www.industriallouvers.com  
ilinfo@industriallouvers.com