



**INDUSTRIAL
LOUVERS
INC.**

511 SOUTH 7TH STREET
DELANO MN 55328
Phone: 763.972.2981
Fax: 763.972.2911

www.industriallouvers.com
ilinfo@industriallouvers.com

MODEL BV

STANDARD CONSTRUCTION

Frame and blades to be 4" deep .125 extruded aluminum 6063 alloy.

18 x 14 mesh aluminum wire insect screens mounted on the interior.

Finish to be mill.

INSTALLATION

Model BV should be installed in accordance with manufacturers recommended attachment method and in accordance with state and federal building codes.

WARRANTY

All materials and workmanship are warranted for a period of 1 year from date of completion.

MAINTENANCE

None required.

FEATURES

- Standard sizes available.
- All welded assembly or mechanically fastened.

OPTIONAL ACCESSORIES

Many optional accessories to the basic design are available at an additional cost. They include:

- Custom sizes as required.
- Flanged frames of various sizes.
- External key operated dampers.
- Straight Ducts.
- Visible or invisible mullions for multiple section requirements.
- Anodized, Baked Enamel or Kynar finish

Please contact the factory for other special requirements.

SUGGESTED SPECIFICATIONS

Furnish and install where indicated on the drawings ILI Model BV brick vents as manufactured by Industrial Louvers, Inc., Delano, MN. Frames and blade thickness to be .125" extruded aluminum 6063 alloy. Sill and jamb frames shall be continuously welded to help prevent water penetration to interior wall construction. Blades are attached by means of all-welded construction.

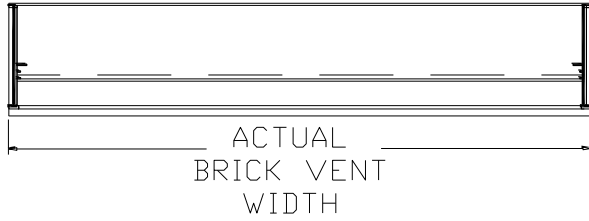
STANDARD SIZES

MODEL	WIDTH	HEIGHT
115	11-5/8"	5"
77	7-5/8"	7-5/8"
157	15-5/8"	7-5/8"
237	23-5/8"	7-5/8"

CATALOG NO. BV

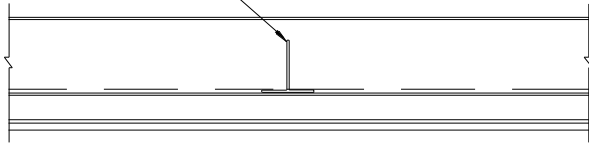
Rev: JANUARY 2004

MODEL BV

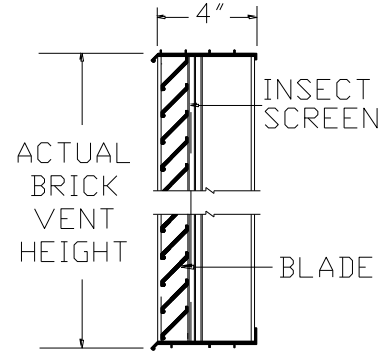


HORIZONTAL SECTION

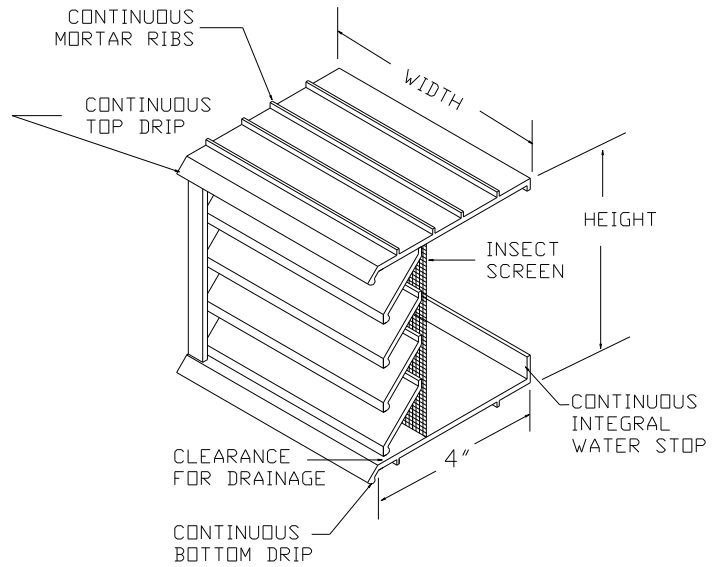
STIFFENER REQUIRED @ 16" O.C. MAXIMUM SPACING



INTERMEDIATE SUPPORT



VERTICAL SECTION



ACCESSORIES:

- FINISH _____
- COLOR _____
- OTHER _____

ITEM NO.	QTY	SIZE	Actual	M.O.	NO. OF SECTIONS	REMARKS
			WIDTH	HEIGHT		

PROJECT _____

LOCATION _____

ARCH/ENGR. _____

CONTRACTOR _____

DATE _____

REPRESENTATIVE _____

ILI JOB NO. _____ REP NO. _____

Industrial Louvers, Inc. Phone: 763-972-2981
 511 South 7th Street Fax: 763-972-2911
 Delano, MN 55328

CATALOG NO. BV

Rev: JANUARY 2004