

Perimeter Systems  
*Innovative Aluminum Architecture*



Extruded Aluminum Cornices

*2010 Introduction*



## Designer Series Extruded Aluminum Cornices

*Since 1990, Perimeter Systems has provided Designer Series Cornice for churches, universities, financial institutions, municipalities, and stately homes throughout the United States. Now, these formed cornice mouldings are available in aluminum extrusions. Extrusions provide precise joints, exceptionally crisp lines, with much greater detail.*



*Whether new construction or a historic renovation, Perimeter Systems' innovative "interchangeable" extruded cornice mouldings allow you to design beautifully sculptured cornices limited only by your imagination.*

### *CORNICE FEATURES:*

- Powder Coated Kynar 500® & Hylar 5000®
- 56 Colors
- Custom Matching Colors
- Field Repaintable
- Virtually Maintenance Free
- Does Not Burn or Add to Combustion
- Excellent Weathering Characteristics
- Will Not Rot, Crack or Crumble
- Excellent Material for LEED Buildings
- Earth Friendly - 85% Recycled Aluminum
- Insect Proof

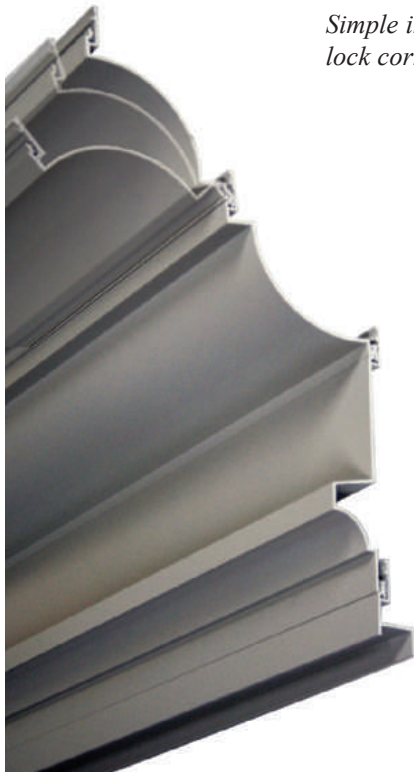


*Project photographs show in this publication are of our pre-designed formed cornice products. Our extruded cornice moulding have been designed with similar profiles and while close in shape, the actual cornice will vary from those shown in the photographs.*

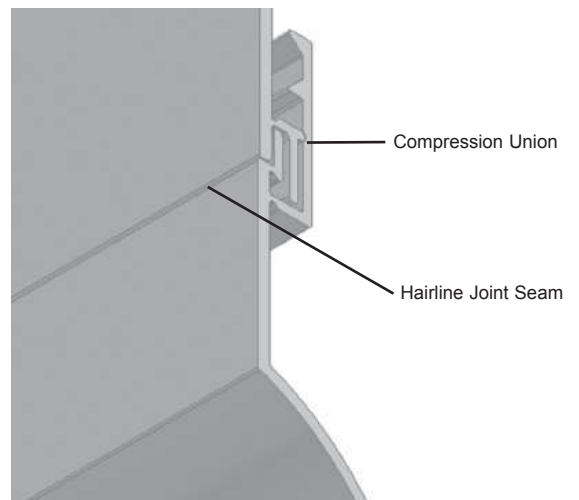
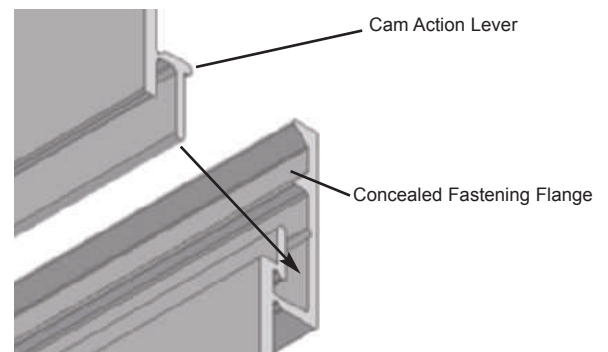
## Featuring Inter-Locking Profiles;

*The Designer Series Extruded Cornice Moulding are uniquely designed to inter-lock with a water resistant and securely locked seam. In addition, we designed our mouldings with an overlapped "shingle effect" seam to deflect wind driven rain.*

*Each cornice moulding also features a concealed fastening flange to assist and provide for proper fastening. This fastening flange is specially shaped to countersink flat head machine screws preventing possible interference with mating cornice members. This special shape also accommodates rivets.*



*Simple installation; insert & pivot to lock cornice extrusions in place.*



## & Interchangeable Profiles;

*The Designer Series Extruded Cornice Mouldings are available in several classical profiles along with sills, offsets, & closure trims. With these interchangeable mouldings you can easily combine different profiles to create most any cornice imaginable.*

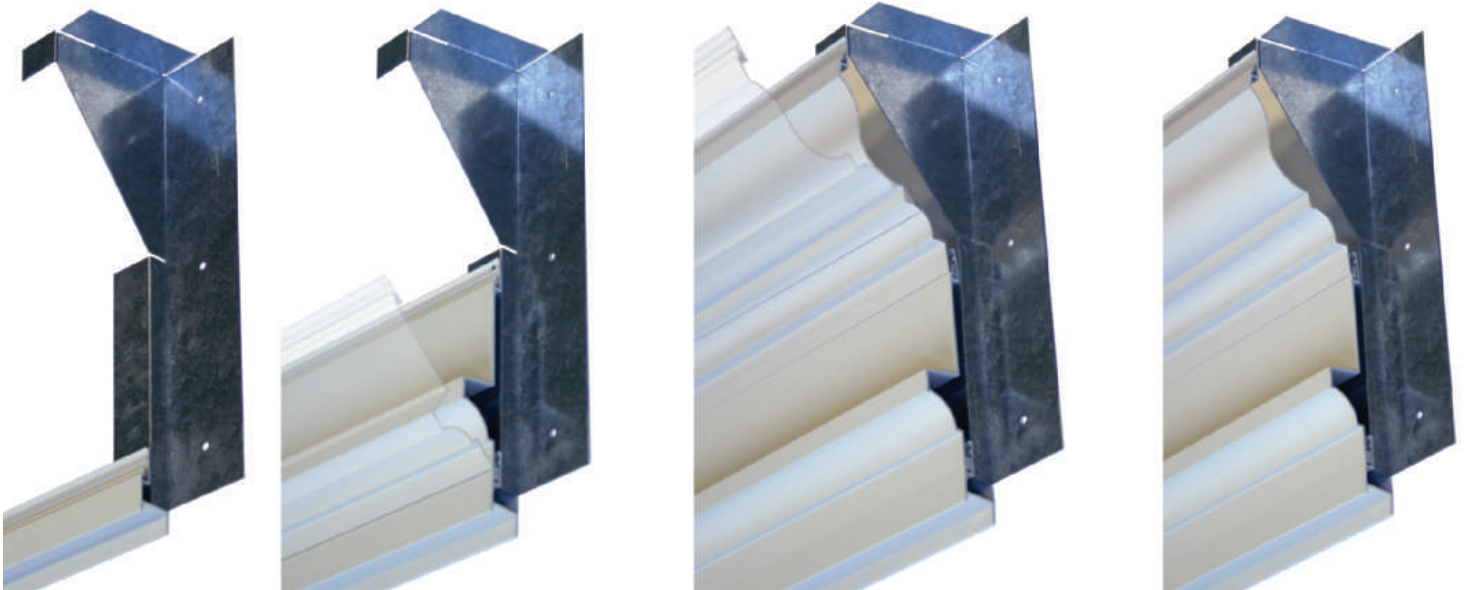
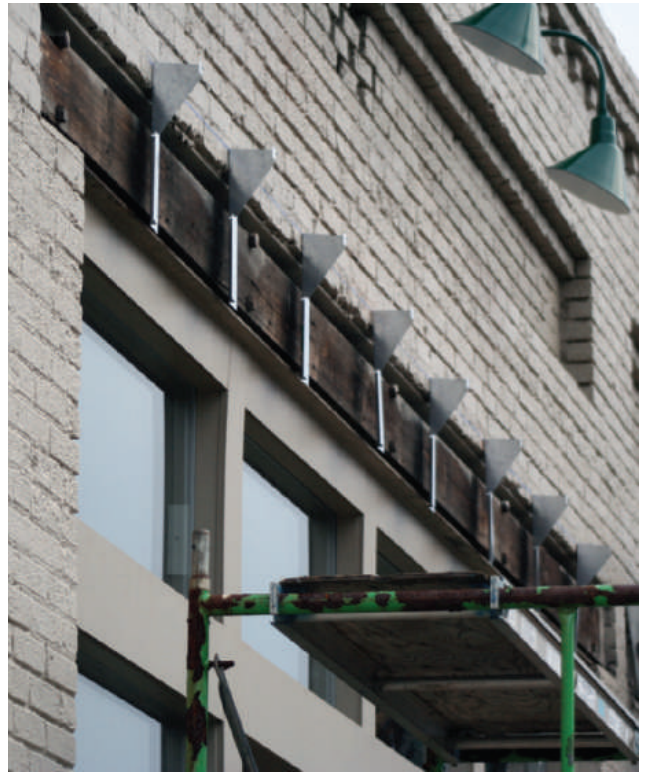
*As with wood millwork, the extruded aluminum cornice mouldings may be used on eaves, rakes, dormers, pediments, as well as window & door surrounds. And with our special closure head trim, these refined mouldings can be installed as interior crown mouldings.*

## Designer Series Extruded Cornice Mounting Gussets

*The Designer Series Extruded Cornice Moulding are available with mounting gussets. These gussets are manufactured from heavy gauge galvanized steel and designed to form fit your cornice design. Gussets are fastened to your building's structure with screws or bolts at 24" to 32" centers (spaced according to your framing design or building codes).*

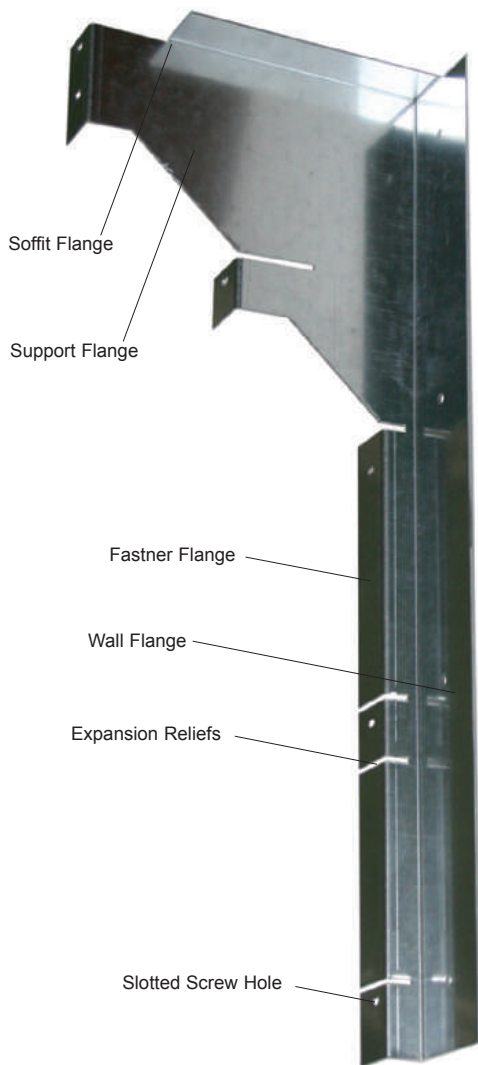
**Gussets offer many benefits over conventional framing such as;**

- *Eliminating expensive sub framing and sheathing,*
- *Provides a more precise sub structure to attach your cornice,*
- *Reduces the need for field verified dimensions,*
- *Improves installation time,*
- *No special trades are required for installation,*
- *Offers greater assurance for wind resistance,*
- *And, metal gussets will not burn or contribute to combustion.*



## Mounting Gussets Allow Your Cornice To Free Float...

*Unique expansion reliefs, slotted fastening holes, and the flexibility designed into our gussets allow your cornice to move freely as temperatures change. Gussets allow you to design your cornice to simulate a cast stone "stacking joint" or the more sleek design that wood offers with its tightly fitted joints.*



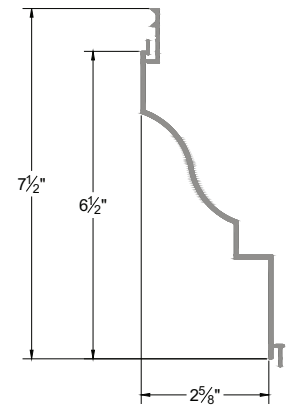
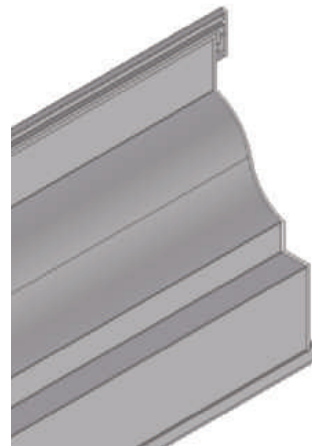
### Concealed Fasteners

*All our profiles feature concealed fasteners. Number 10-24-1/2" Stainless Machine Screws with nylon core hex lock nuts provide the ultimate in holding strength. Nylon core hex nuts securely lock fasteners and cornice without the binding action of lock washers. This allows your cornice to free float as temperatures change.*

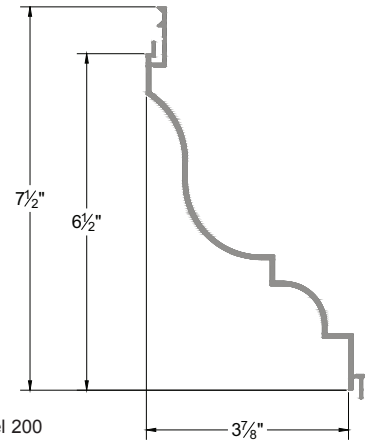
## Designer Series Cornice Extruded Aluminum Mouldings



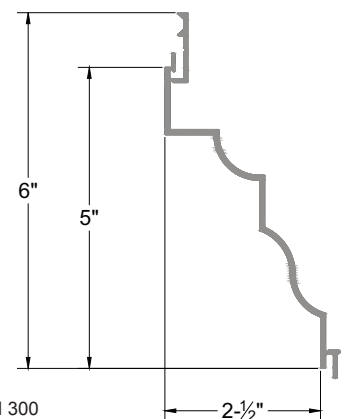
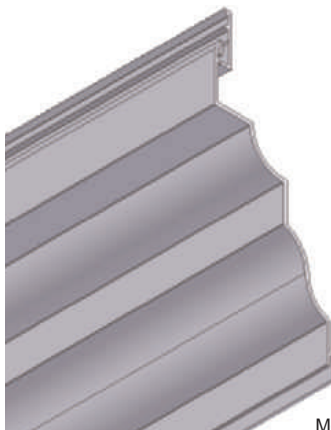
<b>MODEL</b>	<b>DESCRIPTION</b>
<i>Model 100</i>	<i>Crown Cornice One</i>
<i>Model 200</i>	<i>Crown Cornice Three</i>
<i>Model 300</i>	<i>Crown Cornice 6</i>
<i>Model 400</i>	<i>Concave Moulding</i>
<i>Model 500</i>	<i>Convex Moulding</i>
<i>Model 600</i>	<i>Closure One</i>
<i>Model 650</i>	<i>Closure Three</i>
<i>Model 700</i>	<i>Closure Two</i>
<i>Model 800</i>	<i>Extender</i>
<i>Model 900</i>	<i>Freeze Moulding</i>
<i>Model 1000</i>	<i>Sill One</i>
<i>Model 1100</i>	<i>Sill Two</i>
<i>Model 1200</i>	<i>Soffit Clip</i>
<i>Model 1300</i>	<i>Soffit Return Four</i>
<i>Model 1400</i>	<i>Soffit Return Six</i>



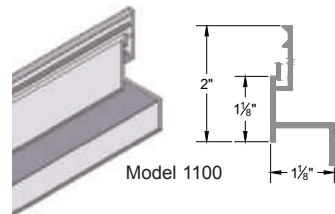
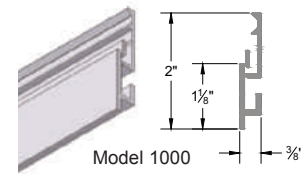
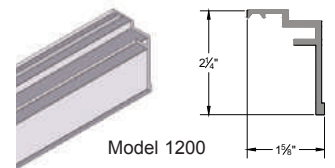
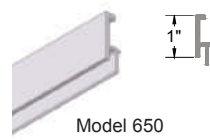
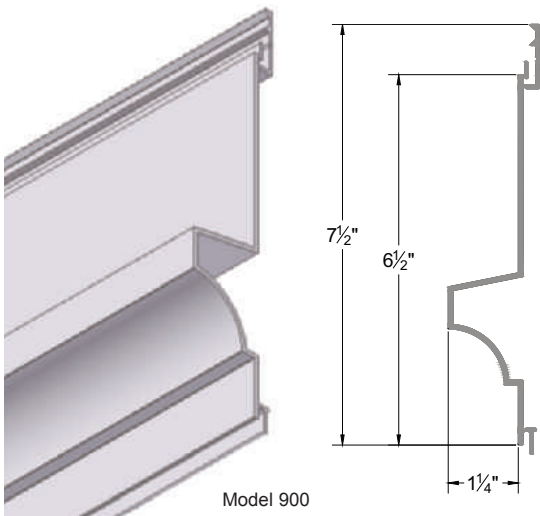
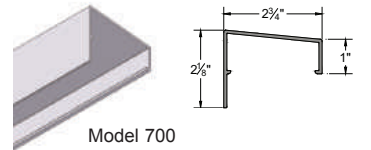
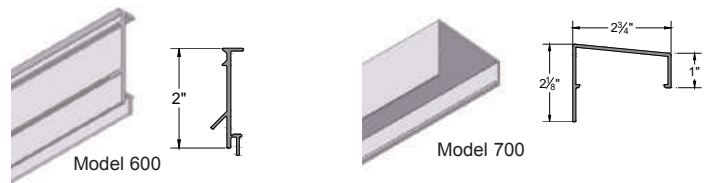
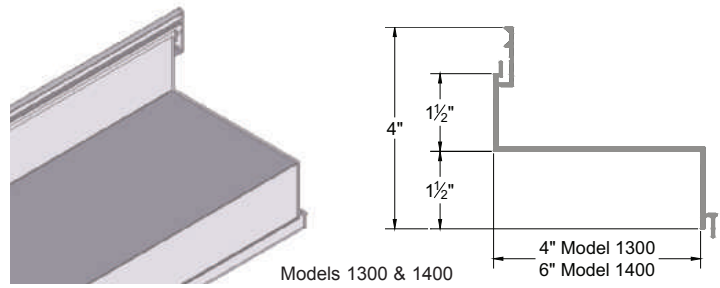
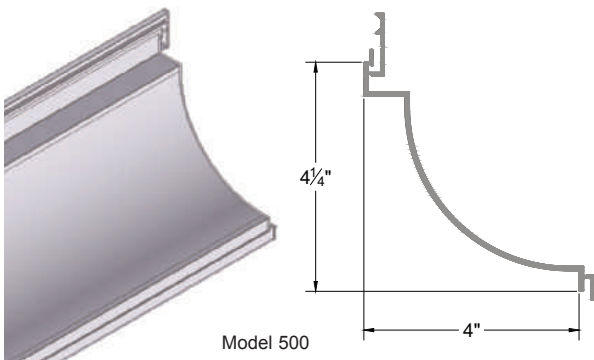
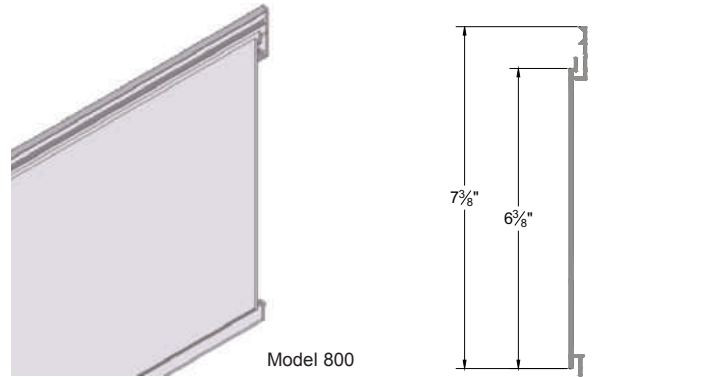
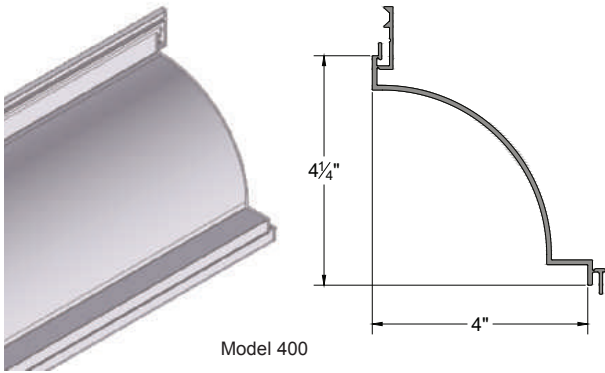
Model 100



Model 200



Model 300



# Perimeter Systems

*Innovative Aluminum Architecture*



## **SAF Perimeter Systems Division**

139 Chatham Street  
Sanford, NC 27330  
Telephone 919-775-7353  
Fax 919-775-5652  
Toll-free 1-800-334-9823  
[www.saf.com/persys](http://www.saf.com/persys)

## **Southern Aluminum Finishing Company, Inc. Architectural Aluminum Finishes and Flat Sheet Anodized Coatings, PVDF Paint Coatings**

1581 Huber Street, NW  
Atlanta, GA 30318  
Telephone 404-355-1560  
Fax 404-350-0581  
Toll-free 1-800-241-7429  
[www.saf.com](http://www.saf.com)

## **SAF Metal Fabrication Division Innovative Metal Architecture**

8370 E. Highway 78  
Villa Rica, GA 30180  
Telephone 770-942-1207  
Fax 877-949-4759  
Toll-free 1-800-241-7429

## **SAF Coil Anodizing Division Architectural and Industrial / Clear & Dyed Finishes**

1417 Poplar Lane  
Nashville, TN 37210  
Telephone 615-259-2800  
Fax 615-259-4211  
Toll-free 1-800-241-7429

## **SAF West**

4356 Caterpillar Rd  
Redding, CA 96003  
Telephone 530-244-7518  
Fax 530-244-7830  
Toll-free 866-660-6627