



### **SAFETY TIEBACK ANCHORS**

When securing building maintenance systems, including outriggers and bosun's chairs to buildings, *Swingstage's Safety Tieback Anchors* provide the code-regulated level of safety required ensuring problem free equipment use.

Swingstage Safety Tieback Anchors can also be used as *Lifeline Anchors* for personal fall protection. With a separate independent lifeline, rope grab, lanyard and body harness, the safety anchor becomes a principal component in a *safety lifeline system*.

### **Conformity**

Anchors are designed to meet all applicable safety codes, regulations and standards where applicable, including OSHA, CalOSHA, ASME/ANSI and CAN/CSA-Z91-M90, which govern loading and location of these required safety devices, as well as the types and sizes of material used in their construction.

Swingstage's anchors also meet regulations that state safety-anchoring devices must be designed by a registered professional engineer. Our engineering team can assist you in conforming to code requirements, without installing more anchors than necessary.

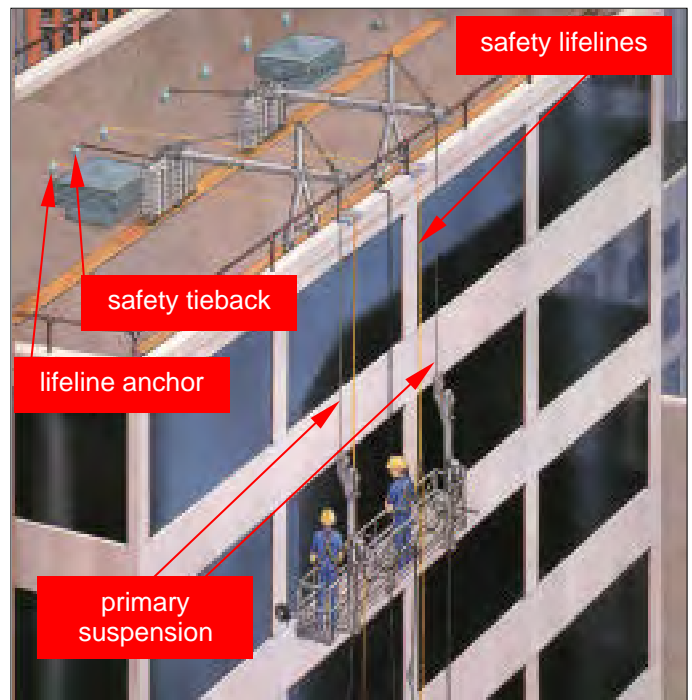
### **Flexibility**

Tractel's Swingstage Division has a full range of Safety Tieback Anchors to suit every building and budget; from the standard *U-bar model*, to more aesthetic *Domed* or *Flush Mounted* anchors, as well as *Wall Mounted Models* used when roof penetration is not an option.

Swingstage's anchors will suit any building condition: they can be bolted, welded, clamped, cast-in or fixed with adhesive anchors. Our design team can quickly address any special conditions or requirements.

### **Performance**

Safety tieback anchors can be used as primary suspension or safety suspension points for workers with safety harnesses and bosun's chairs with controlled descent apparatus. They are also used as tie-offs for primary or secondary, portable and permanent suspension equipment, including outriggers with suspended platforms.



**Typical tieback rigging for outriggers and platform**

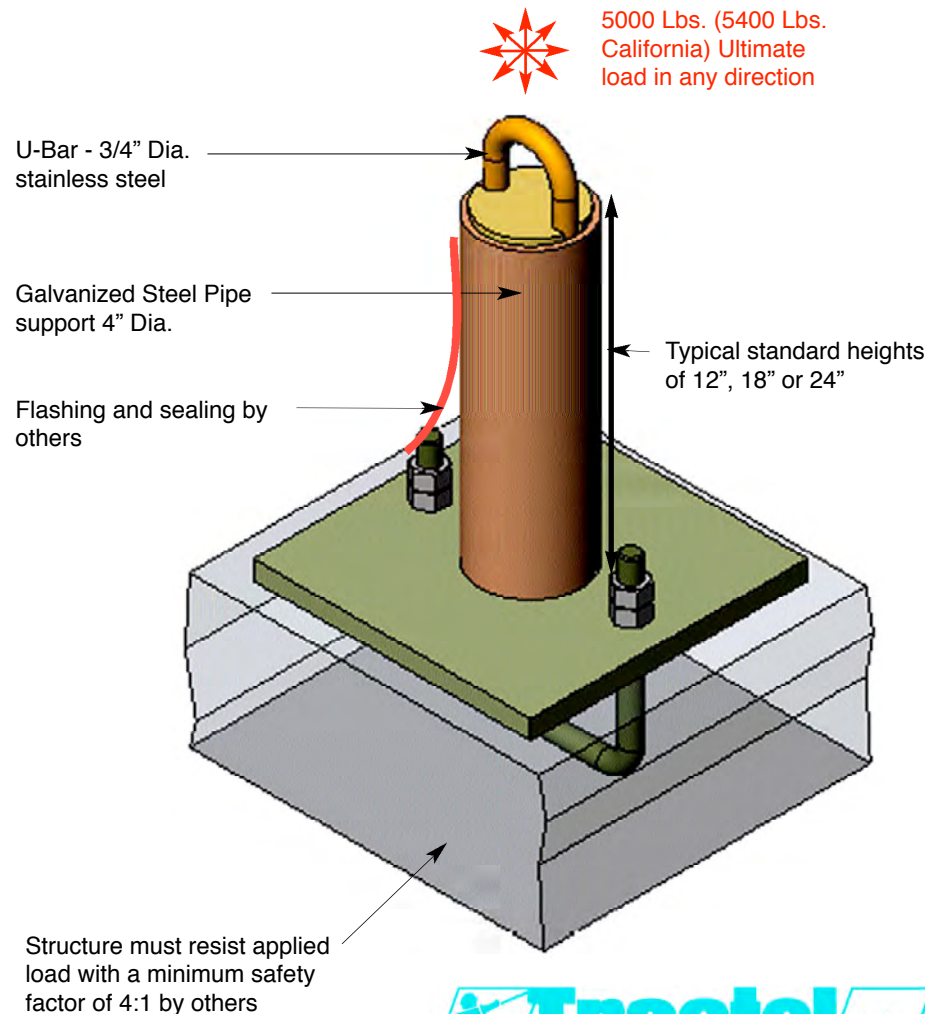
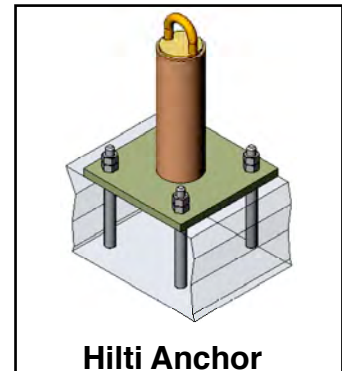
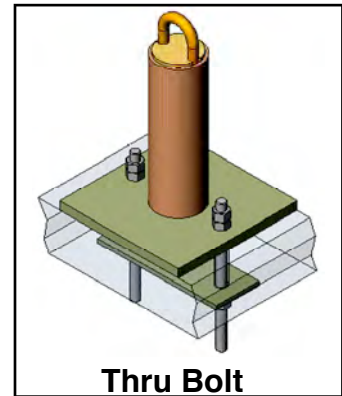
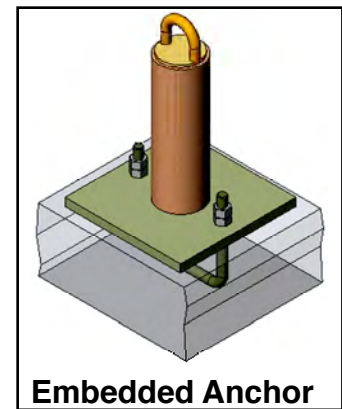
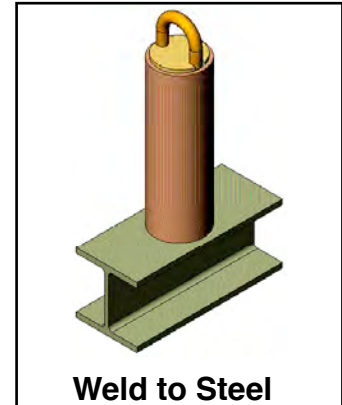
**SAFETY TIEBACK ANCHORS**

When securing building maintenance systems, including outriggers and bosun’s chairs to buildings, Swingstage’s Safety Tieback Anchors provide the code-regulated level of safety required ensuring problem free equipment use. Swingstage Safety Tieback Anchors can also be used as Lifeline Anchors for personal fall protection. With a separate independent lifeline, rope grab, lanyard and body harness, the safety anchor becomes a principal component in a safety lifeline system.

**Conformity**

Anchors are designed to meet all applicable safety codes, regulations and standards where applicable, including OSHA, CalOSHA, ASME/ANSI and CAN/CSA-Z91-M90, which govern loading and location of these required safety devices, as well as the types and sizes of material used in their construction.

**Standard Connections**



**SAFETY TIEBACK ANCHORS - Flush type**

When securing building maintenance systems, including outriggers and bosun's chairs to buildings, Swingstage's Safety Tieback Anchors provide the code-regulated level of safety required ensuring problem free equipment use.

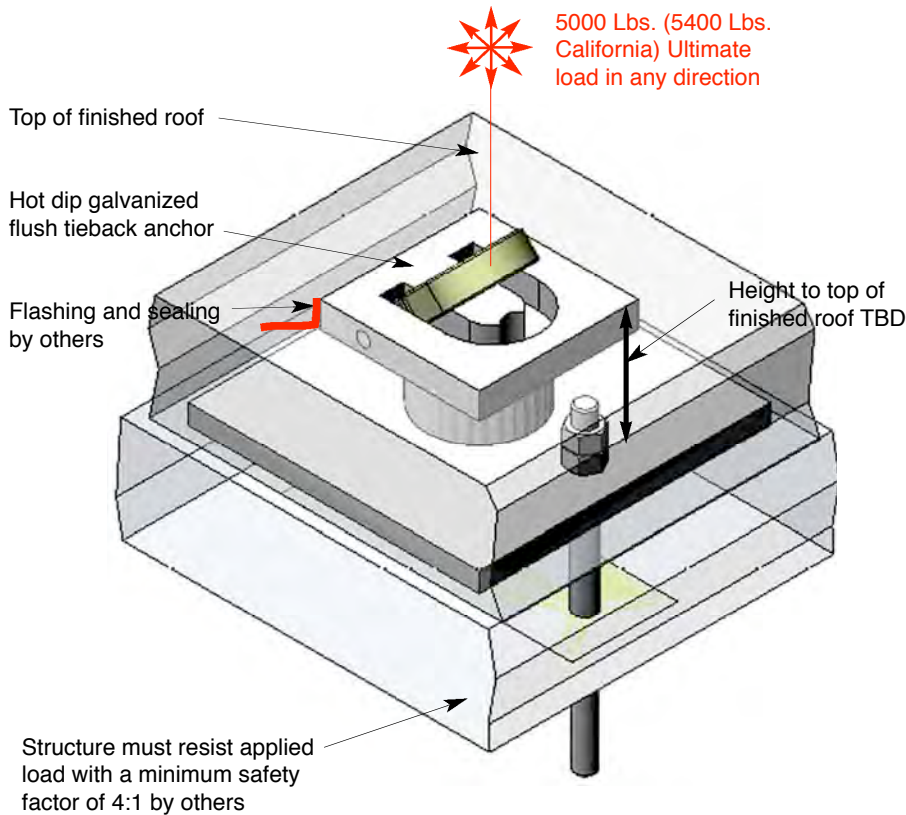
**Flush mounted safety tieback anchors**

When tiebacks are required on roofs where aesthetics, pedestrians or other traffic does not permit any protuberances, Tractel's flush mounted tiebacks provide an attractive solution.

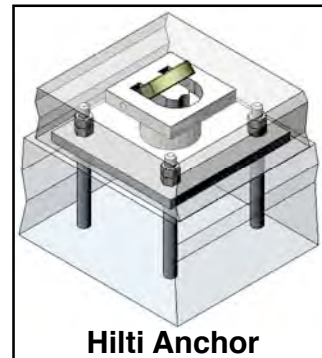
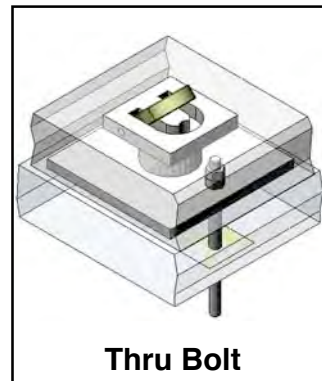
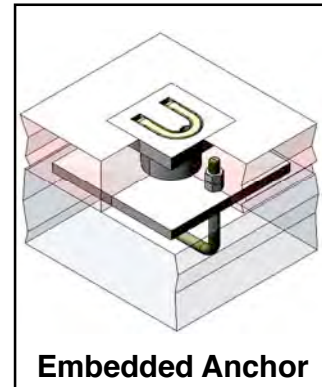
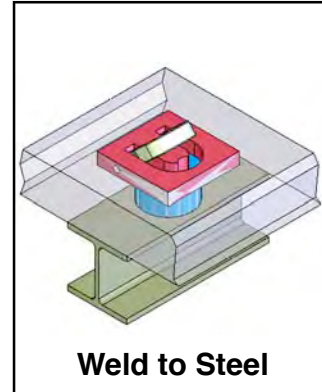
All varieties of standard models are available for every mounting method including new or retrofit applications

**Conformity**

Anchors are designed to meet all applicable safety codes, regulations and standards where applicable, including OSHA, Cal/OSHA, ASME/ANSI and CAN/CSA-Z91-M90, which govern loading and location of these required safety devices, as well as the types and sizes of material used in their construction.



**Standard Connections**



**SAFETY TIEBACK ANCHORS**

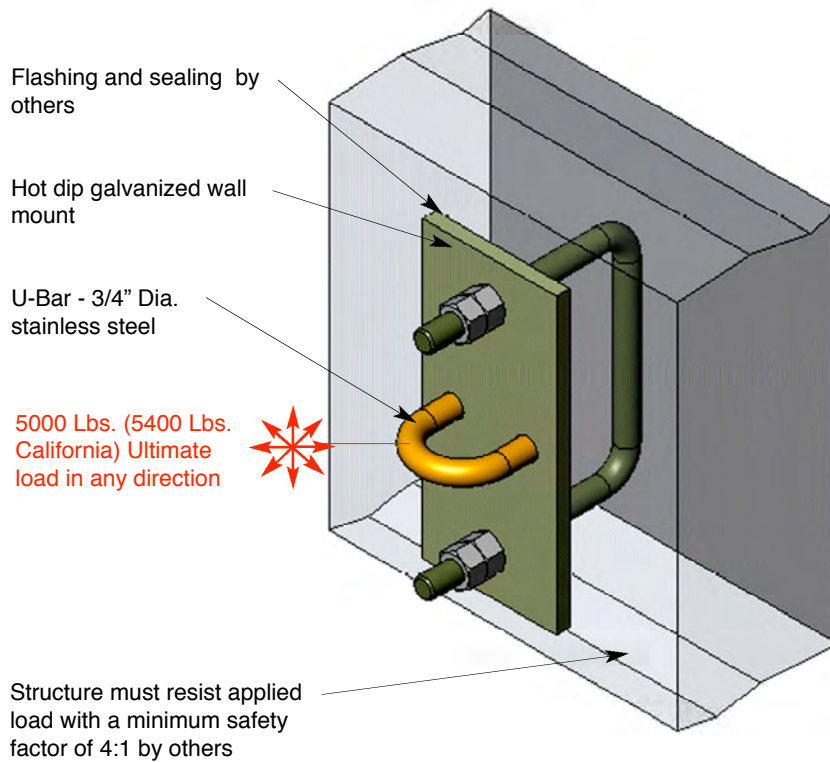
When securing building maintenance systems, including outriggers and bosun's chairs to buildings, Swingstage's Safety Tieback Anchors provide the code-regulated level of safety required ensuring problem free equipment use.

**Wall Mounted Safety Tieback Anchors**

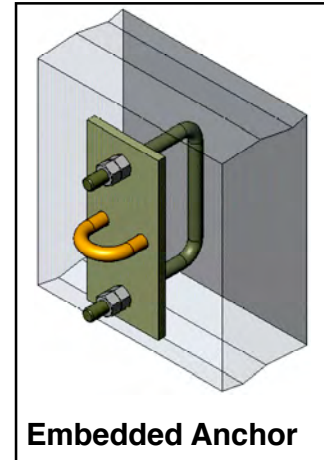
When tiebacks are required on roofs where waterproofing or flashing is not an option, Tractel's wall mounted tiebacks provide a simple, inexpensive solution.

**Conformity**

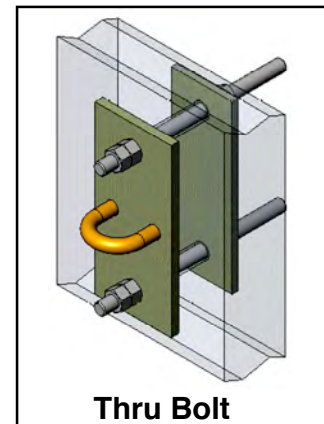
Anchors are designed to meet all applicable safety codes, regulations and standards where applicable, including OSHA, CalOSHA, ASME/ANSI and CAN/CSA-Z91-M90, which govern loading and location of these required safety devices, as well as the types and sizes of material used in their construction.



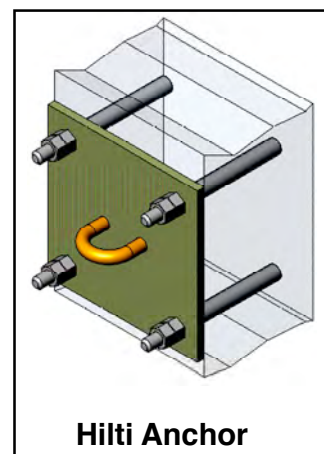
**Standard Connections**



**Embedded Anchor**



**Thru Bolt**

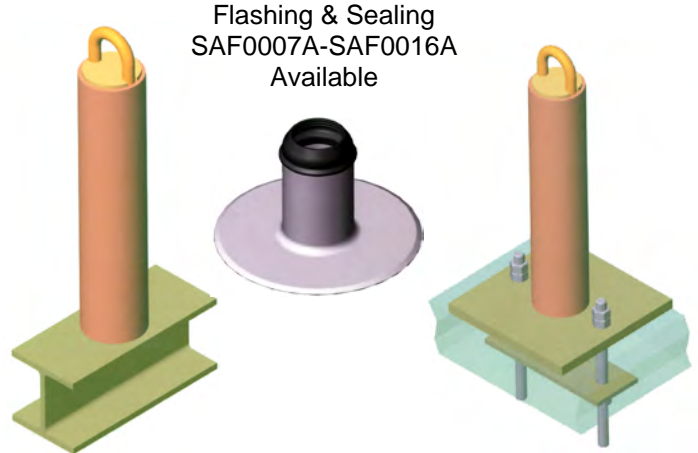
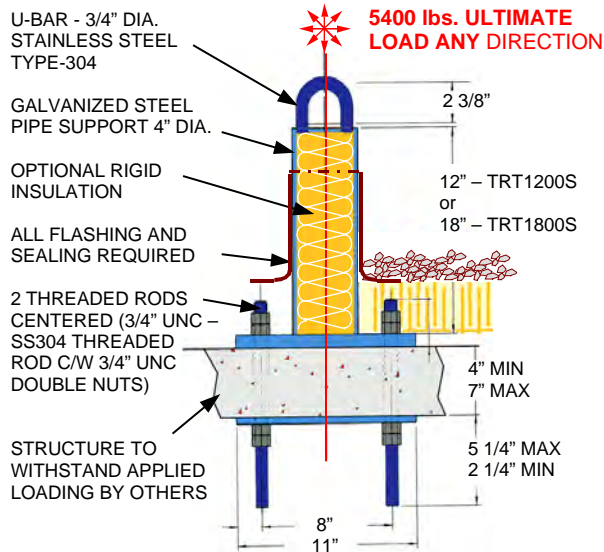
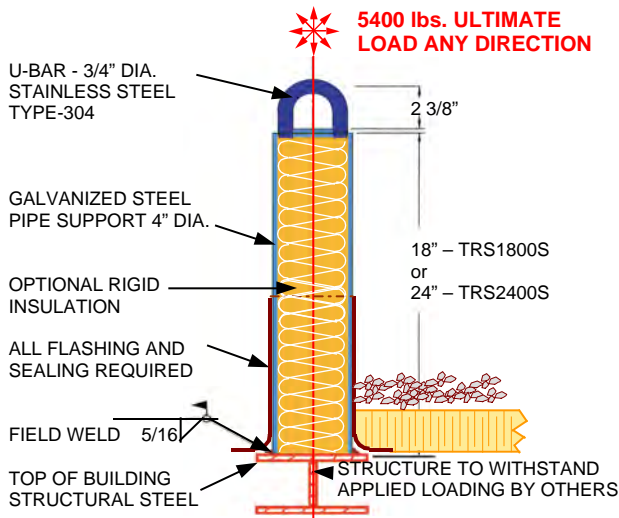


**Hilti Anchor**

**U-bar Safety Tieback Anchors**

The standard U-bar safety tieback anchors are the economical solution for securing secondary safety lifelines or for equipment tieback. All varieties of standard models are available for every mounting method.

All our anchors are designed to meet or exceed all applicable safety codes, regulations and standards where applicable, including FEDOSHA, CALOSHA, ASME/ANSI and CAN/CSA-Z91-M90.



**TRS1800S &  
TRS2400S**

**TRT1200S &  
TRT1800S**

**Tractel model TRS1800S & TRS2400S**

**U-Bar Safety Tieback Anchor, welded to wide beam. (w/o bottom plate)**

**materials:**

'U' Bar: 3/4" dia. – type 304 stainless steel

Pipe Support: 4" dia. galvanized steel

Notes: FIELD WELD E70XX ELECTRODE  
FINISH HOT DIP GALVANIZED

**Tractel model TRT1200S & TRT1800S**

**U-Bar Safety Tieback Anchor, bolted to structure.**

**materials:**

'U' Bar: 3/4" dia. – type 304 stainless steel

Pipe Support: 4" dia galvanized steel

Base & Clamp Plate: galvanized steel (11" square base plate & 11" x 4" clamp plate)

2 Threaded Rods & Nuts: 3/4" UNC – SS304 thread rod c/w 3/4" UNC double nuts

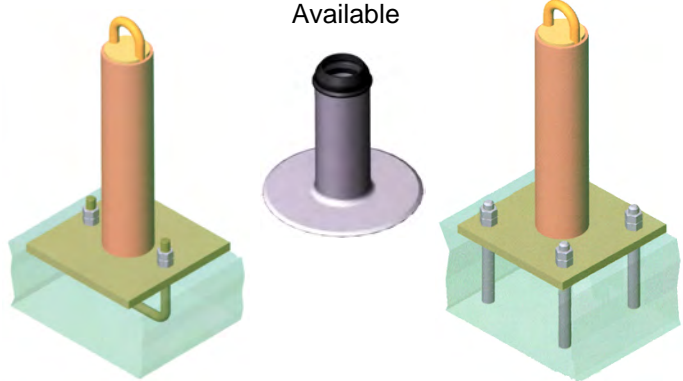
Note: finish hot dip galvanized

**U-bar Safety Tieback Anchors**

The standard U-bar safety tieback anchors are the economical solution for securing secondary safety lifelines or for equipment tieback. All varieties of standard models are available for every mounting method.

All our anchors are designed to meet or exceed all applicable safety codes, regulations and standards where applicable, including FEDOSHA, CALOSHA, ASME/ANSI and CAN/CSA-Z91-M90.

Flashing & Sealing  
SAF0007A-SAF0016A  
Available



**TRE1200S &  
TRE1800S**

**TRM1200S &  
TRM1800S**

**Tractel model TRE1200S & TRE1800S**

**U-Bar Safety Tieback Anchor, embedded anchor bolt into concrete.**

**materials:**

'U' Bar: 3/4" dia. – type 304 stainless steel

Pipe Support: 4" dia. galvanized steel

Base Plate: 11" square galvanized steel

U-Anchor Rod & Nuts: 3/4" UNC – SS304 thread rod c/w 3/4" UNC double nuts

Note: Finish hot dip galvanized

**Tractel model TRM1200S & TRM1800S**

**U-Bar Safety Tieback Anchor, adhesive anchor into concrete.**

**materials:**

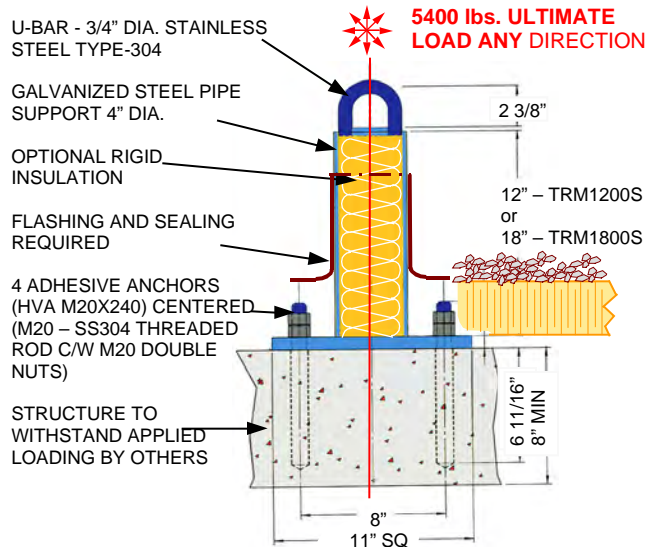
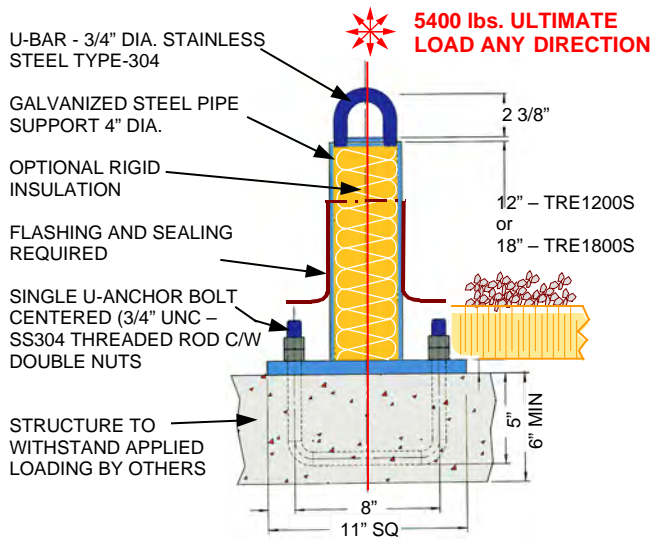
'U' Bar: 3/4" dia. – type 304 stainless steel

Pipe Support: 4" dia. galvanized steel

Base Plate: 11" square galvanized steel

Adhesive Anchor & Nuts: M20x240 – SS304 threaded rod c/w M20 double nuts (Available)

Note: Pull test all adhesive anchors to 4000lbs by others  
Finish hot dip galvanized



## Wall Mounted Safety Tieback Anchors

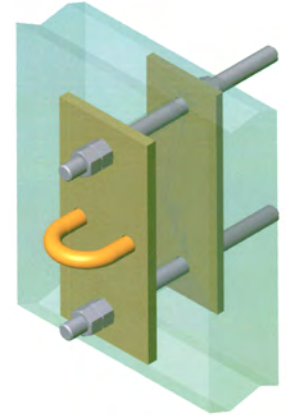
When tiebacks are required on roofs where waterproofing or flashing is not an option, Tractel's wall mounted tiebacks provide a simple, inexpensive solution.

All varieties of standard models are available for every mounting method, including new or retrofit applications.

Like all Tractel tiebacks, they are load rated at 5400 lbs. in any direction, and meet or exceed all required safety codes.



**TWE1000S**



**TWT1000S**

### Tractel model TWE1000S

**Wall mounted safety tieback anchor, embedded in concrete.**

**materials:**

"U"- Bar: 3/4" dia. – type 304 stainless steel

Top Plate: Galvanized steel - 11" x 5"

"U"- Anchor & Nuts: 3/4" UNC – SS304 threaded rod c/w 3/4" UNC double nuts

Note: Finish hot dip galvanized

### Tractel model TWT1000S

**Masonry wall mounted safety tieback anchor, bolted to structure.**

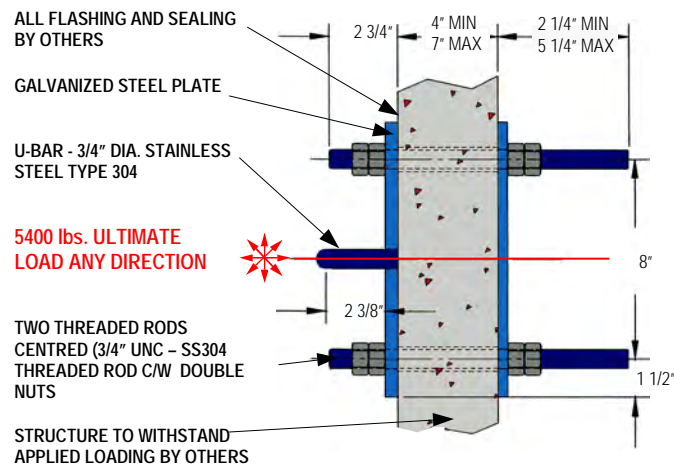
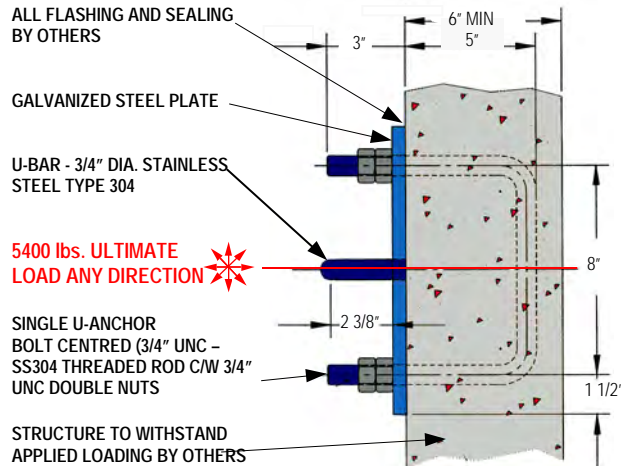
**materials:**

"U"- Bar: 3/4" dia. – type 304 stainless steel

Top Plate: Galvanized steel - 11" x 5"

Two Threaded Rods & Nuts: 3/4" UNC – SS304 threaded rod c/w 3/4" UNC double nuts

Note: Finish hot dip galvanized

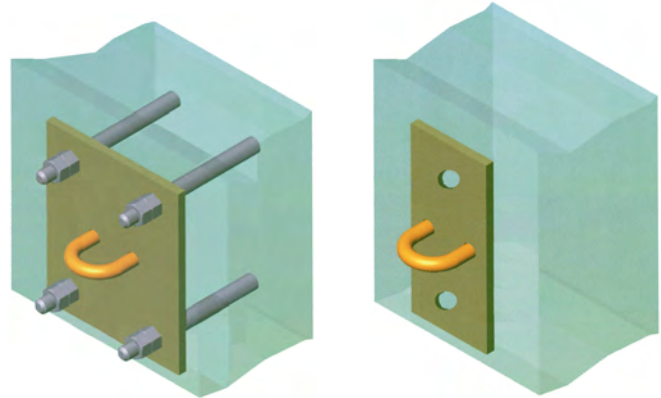


## Wall Mounted Safety Tieback Anchors

When tiebacks are required on roofs where waterproofing or flashing is not an option, Tractel's wall mounted tiebacks provide a simple, inexpensive solution.

All varieties of standard models are available for every mounting method, including new or retrofit applications.

Like all Tractel tiebacks, they are load rated at 5400 lbs. in any direction, and meet or exceed all required safety codes.



**TWM1000S**

**TWC1000S**

### Tractel model TWM1000S

**Wall mounted safety tieback anchor, adhesive anchor into concrete.**

**materials:**

*"U"- Bar:* 3/4" dia. – type 304 stainless steel

*Top Plate:* Galvanized steel - 11" x 5"

*Adhesive Anchors & Nuts:* Four adhesive anchors (hva m20x240) centred, two 3/4" unc – ss304 threaded rods c/w double nuts (Available)

*Notes:* Pull test all adhesive anchors to 4000 lbs. by others  
Finish hot dip galvanized

### Tractel model TWC1000S

**Wall mounted safety tieback only, mounting method by others.**

**materials:**

*"U"- Bar:* 3/4" dia. – type 304 stainless steel

*Top Plate:* Galvanized steel - 11" x 5"

*Notes:* Mounting method by others, Tractel not responsible for incorrect installation.  
Finish hot dip galvanized

