

SOLO cradle SOLSIT one-man seat

for inspection and maintenance work



The ideal solution for:

- Window and facade cleaning
- Insulation and weatherproofing
- Chimney and furnace
- Tank and boiler construction
- Painting and corrosion protection



SOLO cradle

Lightweight design and extremely stable, the SOLO cradle and SOLSIT one-man seat offer a fast means of access with a safe and reliable working position for many inspection, maintenance, cleaning and assembly operations. The reliability of the powered TIRAK hoist, combined with the BLOCSTOP safety device, mounted on a secondary safety wire rope, ensure complete safety of the operator, essential for equipment used for lifting people. The two adjustable rollers rest against the facade to prevent spinning and excessive swaying.



SOLSIT one-man seat

Capacity: 215 kg
 Weight: 85 kg
 Dimensions:
 cradle: (LxWxH) 105x70x105 cm
 overall height: 230 cm
 In the standard version, the SOLO cradle is fitted with a powered TIRAK hoist. As an option it can be fitted with a manual SCAFOR hoist.



The whole assembly is easily dismantled and can be loaded and transported in an estate car



The cradle can be easily moved around using the rollers

not only a lift but also a working platform

The TIRAK hoist is available in 220 V, 0.45 kW, single phase or 220/380 V, 0.45 kW, three phase supply. The lifting speed is 8.5 m/min giving fast access to the working position, which becomes more important as the height of the building increases. The lifting height is limited only by the length of the wire rope since it passes through the TIRAK hoist without a drum reeler. Should there be a power failure, the operation of the centrifugal brake allows controlled lowering, to avoid any long delay in rescue.

Built-in safety devices:

- secondary safety wire rope
- overload safety device
- controlled lowering by centrifugal brake
- upper limit switch
- safety belt (SOLSIT one-man seat).

Capacity: 120 kg
 Weight: 50 kg
 Dimensions (LxWxH) 99x78x200 cm
 without the support rollers:
 45x54x199 cm

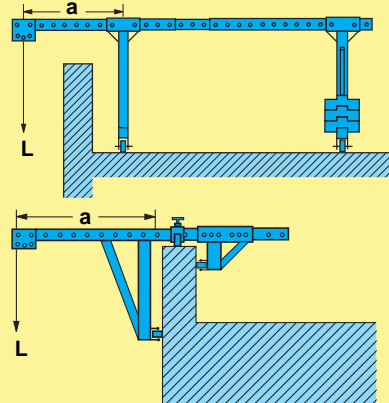
The SOLSIT one-man seat is extremely compact and can pass through a man-hole of 45x54 cm. It can then be used inside very narrow furnaces, wells and chimneys. 2 containers are fitted for carrying tools and cleaning materials.

Fast installation and set up

The cradle or work seat can be very quickly installed and set up for operation. The two wire ropes are hooked onto the suspension point and the electric supply cable plugged in - depending on the model of TIRAK hoist - to a 220 V single phase or 220/380 V 3 phase supply. An extra power point for a drill or inspection lamp avoids the need for additional power supply cable.

The anchor point: portable, easy to handle and safe!

- **mobile suspension jib** for flat roofs or window openings. Maximum overhang (a): 1 m. Stability using 25 kg counterweights.
- **fixed or mobile parapet clamps** for parapets ranging from 5 to 32 cm in thickness. Overhang (a): 0.67 m.



Additional information is available on request

P1056.3-6000-06/91

TRACTEL S.A.
 29, rue du progrès
 F-93108 Montreuil Cedex
 Tél. (01) 48 58 91 32
 Fax (01) 48 58 19 95



SECALT S.A.
 3, rue du Fort Dumoulin
 B.P. 1113 • L-1011 Luxembourg
 Tél. (352) 43 42 42-1
 Fax (352) 43 42 42-200