

SAFETY-TREAD® LADDER RUNGS

PRODUCT DESCRIPTION

Safety-Tread® ladder rungs are small channel shaped sections; the web of the channel being the walking surface which is covered with small perforated dimples, produced by a cold forming process.

FEATURES & BENEFITS

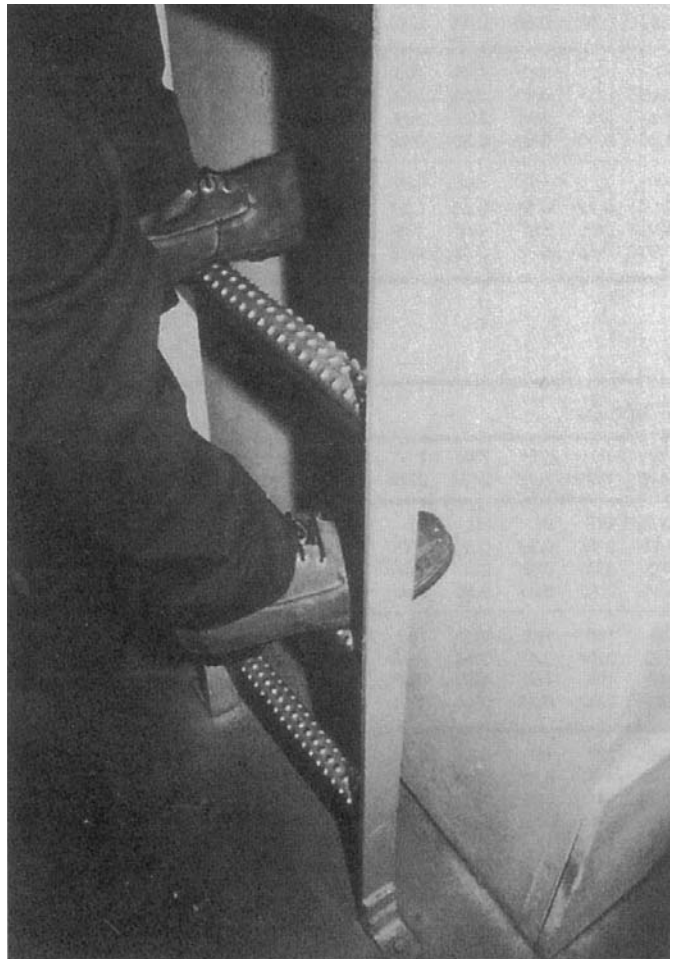
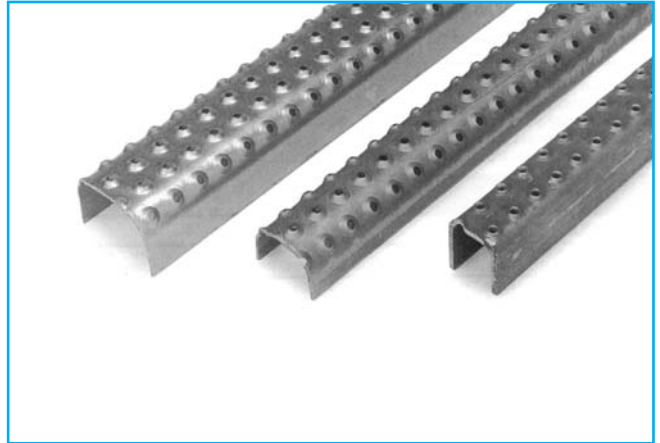
- Perforated dimples provide superior slip resistance in all directions and in all weather conditions. The quantity of dimples under foot provides exceptional adhesive friction.
- Cross sectional design provides significant load carrying capacity on spans up to 24".
- Three widths of rung to choose from.
- Leading row of dimples projected on the edge of the rung provides slip resistance to the foot approaching at an angle to the walking surface.
- Long life span requiring little maintenance.
- Adaptable to a wide range of applications.
- Easily adaptable to cost effective, custom fabrication.
- Ideal for retrofit applications as rungs fit over slippery pipes, bars, etc. on existing ladders.

MATERIAL SPECIFICATIONS

Ladder rungs shall be "Safety-Tread® ladder rungs," manufactured from (see 'Selections' below) by AMICO-ISG®.

SELECTIONS

- ASTM-A-1011, 13 or 11 gauge, HRP&O steel.
- ASTM-A-653, 13 gauge, G-90 (Z-275) Pre-galvanized steel.
- 5052H32 .125" thick, Aluminum.
- Type 316L, 14 gauge Stainless Steel.



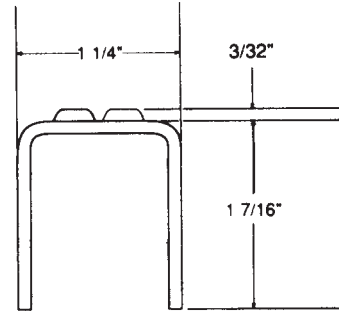
Safety Grating

SAFETY-TREAD® LADDER RUNGS

TECHNICAL DETAILS

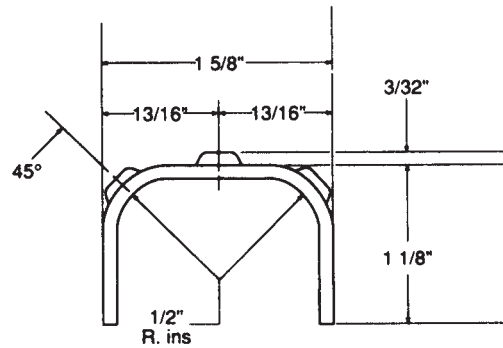
1 1/4" Wide (2 Hole)

Type	Weight lb./ft.	Catalog Number	Load Type	Clear Span			
				16"	18"	20"	24"
Steel 11 GA	1.2	LR1251B	C	377	339	308	265
			D	0.014	0.018	0.025	0.036
Stainless Steel 14 GA	1.0	LR1254B					
Aluminum .125"	0.52	LR1258A		Available by request.			



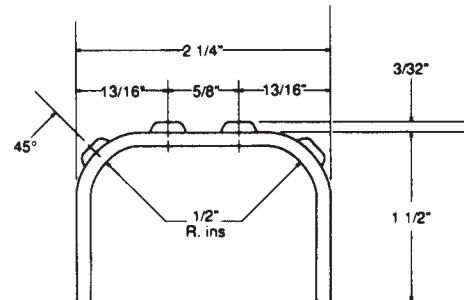
1 5/8" Wide (3 Hole)

Type	Weight lb./ft.	Catalog Number	Load Type	Clear Span			
				16"	18"	20"	24"
Steel 13 GA	1.3	LR6253B	C	260	230	200	175
			D	0.020	0.029	0.037	0.065
Stainless Steel 14 GA	1.1	LR6254S	C	280	250	225	185
			D	0.044	0.051	0.065	0.080
Aluminum .125"	0.5	LR6258A	C	240	214	193	161
			D	0.069	0.085	0.099	0.137



2 1/4" Wide (4 Hole)

Type	Weight lb./ft.	Catalog Number	Load Type	Clear Span			
				16"	18"	20"	24"
Steel 13 GA	1.5	LR2253	C	490	440	400	345
			D	0.032	0.045	0.050	0.065
Stainless Steel 14 GA	1.2	LR2254S	C	415	375	340	290
			D	0.020	0.029	0.040	0.050
Aluminum .125"	0.52	LR2258A	C	390	350	320	255
			D	0.280	0.041	0.050	0.067



Explanation of Load Type

- C = concentrated load (lb)
- D = corresponding deflection (in) resulting from concentrated load

Note:

- All concentrated loads include a safety factor of 1.67.
- Tolerance on all dimensions $\pm 1/8$ "
- Standard lengths are 5'0".