

Extruded Profile Specifications

5" x 5" post
.135" wall thickness
(wgt./ft. = 1.80 lbs.)

R .250
R .250

4" x 4" post
.165" wall thickness
(wgt./ft. = 1.80 lbs.)

R .250

5" x 5" post
.280" wall thickness
(wgt./ft. = 3.60 lbs.)

R .250

3.25" x 3.25" post
.110 wall thickness
(wgt./ft. = .840 lbs.)

R .250

3.5" x 3.5" post
.120 wall thickness
(wgt./ft. = 1.059 lbs.)

R .250

5" x 5" post
.170" wall thickness
(wgt./ft. = 2.27 lbs.)

R .250

2" x 6" plank (ribbed)	(wgt./ft. = 1.20 lbs.)	.105" wall thickness
-------------------------------	-------------------------------	-----------------------------

R .125

2" x 6" plank
.118" wall thickness
(wgt./ft. = 1.20 lbs.)

R .125

1.5" x 5.5" plank
.100" wall thickness
(wgt./ft. = 0.90 lbs.)

R .125

5" x 5" post
.100" wall thickness
(wgt./ft. = 1.35 lbs.)

R .250

1.5" x 5.5" plank (ribbed)	(wgt./ft. = 0.90 lbs.)	.090" wall thickness
-----------------------------------	-------------------------------	-----------------------------

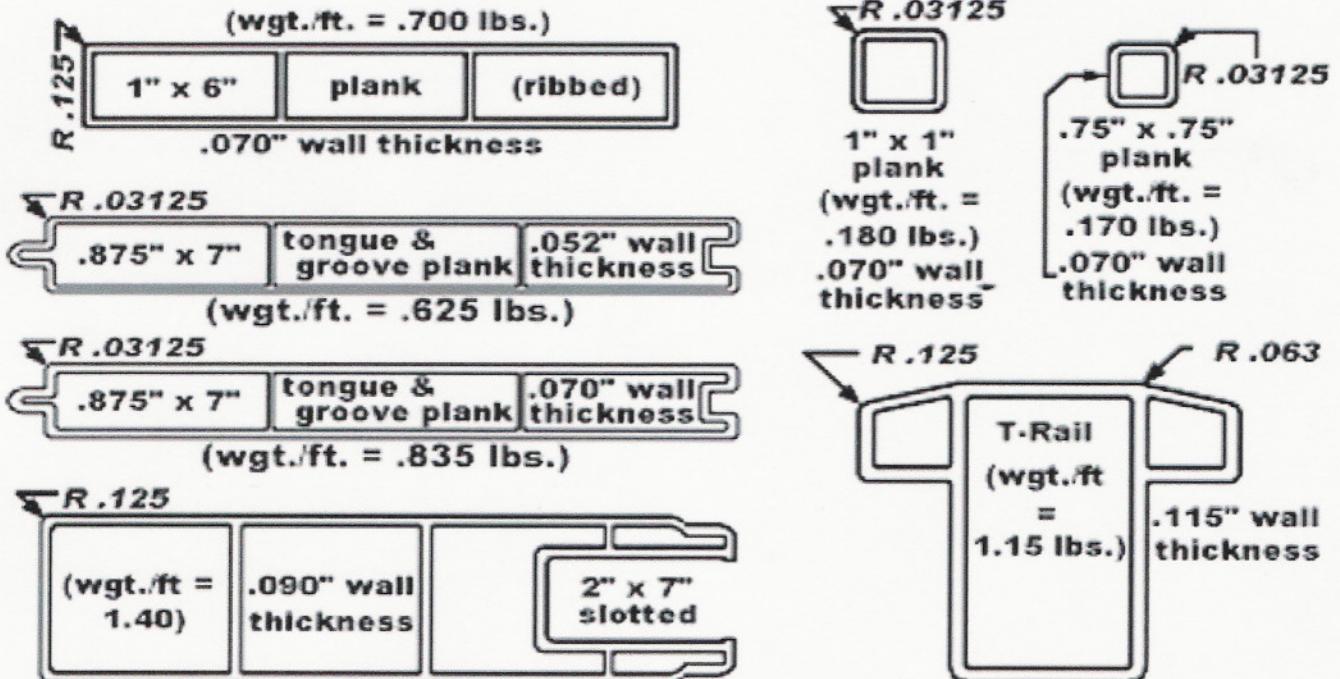
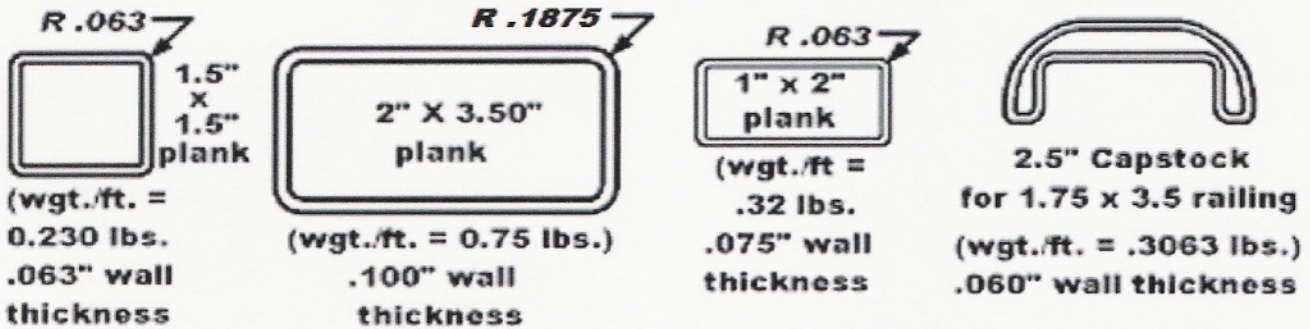
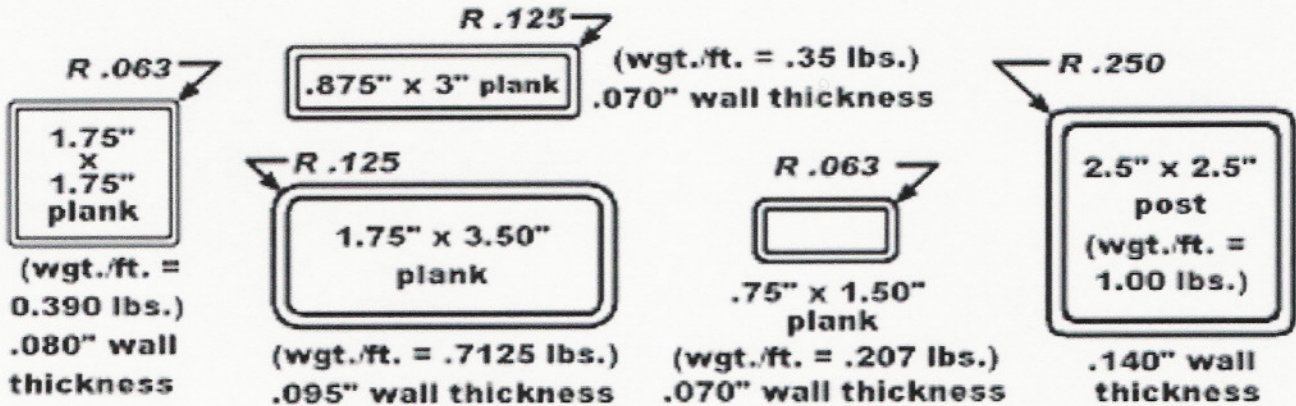
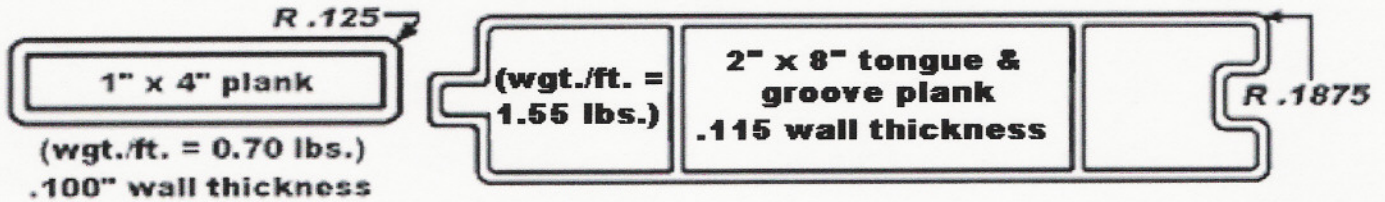
R .125

1.5" x 5.5" plank (ribbed)	(wgt./ft. = .675 lbs.)	.065 wall thickness
-----------------------------------	-------------------------------	----------------------------

R .125



Extruded Profile Specifications



"Conforms to ASTM F964-02"