

Strip Doors & Roll Goods

- Manufacturing Facilities
- Warehouses
- Distribution Centers
- Food Processing
- Restaurants
- Supermarkets
- Retail Establishments



Protect Your Employees and Your Investments



Warehousing

There's an Econo Max Strip Door For Your Application

We offer the industry's widest range of strip door products. Our easily-installed, easily-maintained hardware is adaptable to practically any application. That's why for over 70 years warehouses, food service facilities, and manufacturing plants have turned to us when traffic demands an open door.

Patented Econo Max Strip Mounting is Faster and Stronger

Econo Max Strip Doors also provide a flexible barrier to help isolate your employees from unwanted dust, noise, pollution, insects and more without blocking traffic visibility or light.



Manufacturing

Consider Our Strip Door's Other Advantages Too!

- ✓ Fewer accidents at doorways
- ✓ Improves traffic flow
- ✓ Comfortable work environment
- ✓ Longer shelf life for refrigerated products
- ✓ Reduced coil icing
- ✓ Reduced heater wear
- ✓ Reduced filter maintenance

Here's just a few applications for Econo Max Strip Doors

- Interior Partitions
- Walk-in coolers/freezers
- Chip barriers for machining
- Refrigerated truck doors
- Noise barriers
- Conveyor openings
- Animal doorways
- Refrigerated doorways
- Welding booths
- Clean rooms
- Loading docks
- Craneways



Retail



Conveyor Belt



Loading Dock

** Econo Max Strip Doors provide major energy savings at loading dock installations. Strip doors also provide an ideal visual barrier for conveyor openings in retail, warehouse or baggage handling.*

Choose Chase Doors for Quality & Energy Savings

Quality Control Every Step of the Way

Econo Max Strip Doors quality begins with extrusion of our own PVC strip stock. With over one-million dollars invested in state-of-the-art extrusion technology, we can maintain high quality and control costs in every aspect of strip door production. At Chase Doors, you get faster turnaround, guaranteed quality...**and you pay less because we do it all!**



RF Welding creates unique, high-strength, heat-sealed bond

We're successful because we care about quality and customer satisfaction.



In house extruding ensures quality and availability!



State-of-the-art PVC extrusion guarantees strip quality

Everybody knows that open doors lose energy. But did you know how much?

Heated or cooled air escaping through loading docks can add up to as much as \$5,000/year per door in many areas. Refrigerated air loss from walk-ins can add up to as much as \$1,688/year per door. And the energy costs are going up! The good news is Chase Doors can help you control those costs. Econo Max Strip Doors can slash your energy losses by up to 75%.

Econo Max Strip Doors usually pay for themselves in the first year!

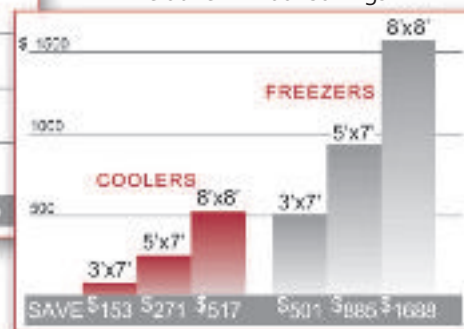


Save on Loading Dock Doors

Relative Annual Savings

Save on Walk-In Coolers and Freezers

Relative Annual Savings



Largest Selection of Strip Material in the Industry

Strip Quality and Selection Make All the Difference - We Give You Both!

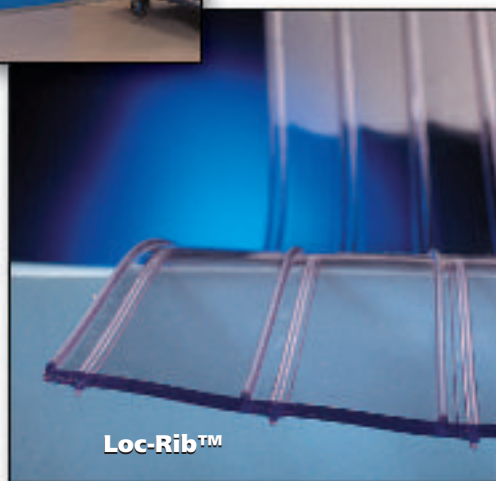
Choose from 8 different vinyl strip formulations in 6 different widths and 4 different thicknesses with over 36 different combinations of characteristics including: ultraviolet and visible light screening; sound attenuation; anti-static qualities; clear or opaque; low temperature resiliency; reinforced; ribbed; safety orange and a selection of opaque colors.



Loc-Rib™: Our standard and USDA grade PVC strips can be fabricated with “locking” ribs to seal against air flow in cooler or freezer temperatures. Ribs also preserve strip clarity by absorbing abrasions. Available in 8, 12 and 16 inch strips for door sizes up to 25 feet tall.



Colorview™: We add windows to attractive opaque colored strip doors by RF welding clear sections into the center of the strips. Available in black, blue, and green in 6, 8, or 12 inch strip widths.



Anti-Static: (not shown) Clear strip formulated to dissipate static electricity harmlessly away from personnel or sensitive equipment. Available in 8 or 12 inch strips.

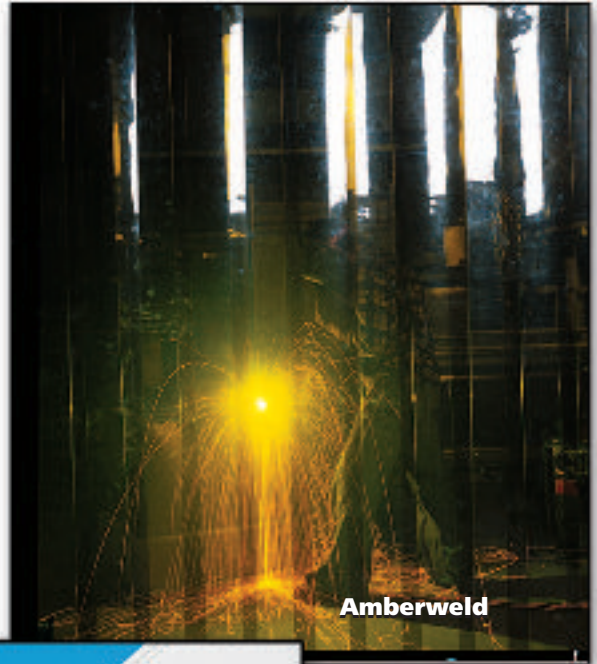


Safety Orange: Call attention to door edges with 8, 12 or 16 inch semi-transparent orange strips.

Immense Inventory Ensures Fast Delivery

Huge Strip Inventory Ensures Fast Delivery

We maintain a large stock of PVC strips in a variety of colors and formulations in order to meet short lead times.



Amberweld



Standard

Amberweld: Specially formulated to screen out UV and near UV rays from welding and brazing flash. Available in 8 and 12 inch strips.



USDA Low Temp

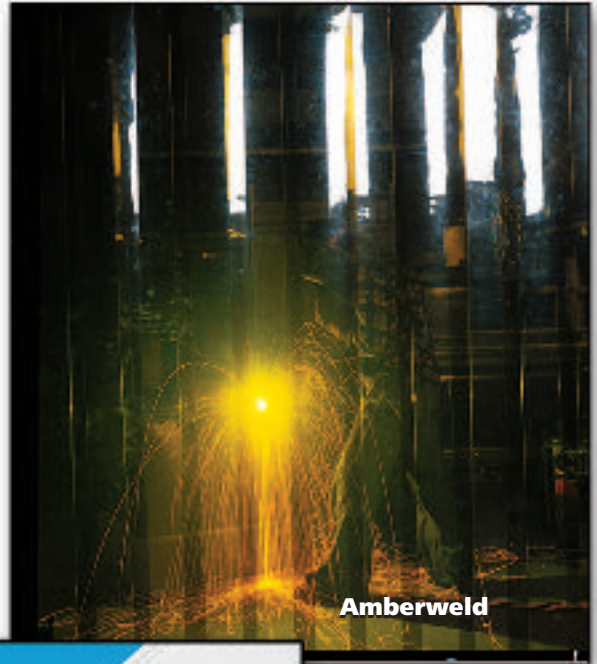
Standard: Our clear PVC strips are designed for use in most walk-in coolers or in doorways at ambient temperatures with personnel, cart, lift truck or vehicular traffic. Available strip widths are 4, 6, 8, 12, 16 and 48 inches.

USDA Low Temp: Clear PVC formulated to remain pliable in food service freezer temperatures; also for use in areas where USDA approved material is required. Available in 4, 6, 8, and 12 inch strip widths. Nylon reinforced strips are also available in widths of 6, 8, and 12 inches for use in freezers subjected to heavy personnel, hand truck or fork lift traffic.

Immense Inventory Ensures Fast Delivery

Huge Strip Inventory Ensures Fast Delivery

We maintain a large stock of PVC strips in a variety of colors and formulations in order to meet short lead times.



Amberweld



Standard

Amberweld: Specially formulated to screen out UV and near UV rays from welding and brazing flash. Available in 8 and 12 inch strips.

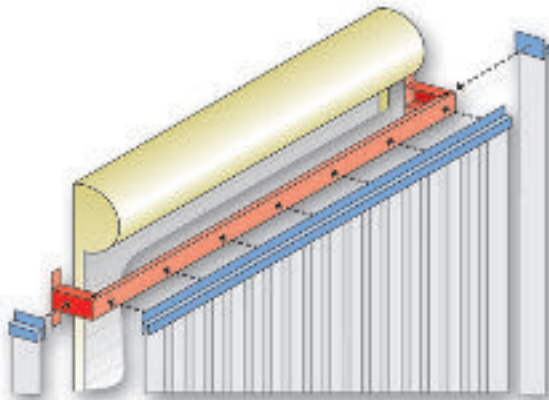


USDA Low Temp

Standard: Our clear PVC strips are designed for use in most walk-in coolers or in doorways at ambient temperatures with personnel, cart, lift truck or vehicular traffic. Available strip widths are 4, 6, 8, 12, 16 and 48 inches.

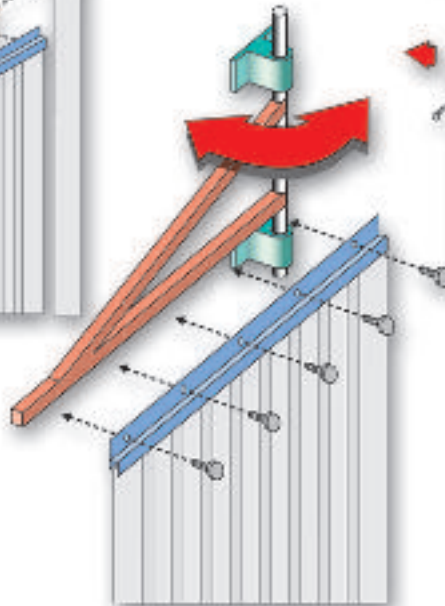
USDA Low Temp: Clear PVC formulated to remain pliable in food service freezer temperatures; also for use in areas where USDA approved material is required. Available in 4, 6, 8, and 12 inch strip widths. Nylon reinforced strips are also available in widths of 6, 8, and 12 inches for use in freezers subjected to heavy personnel, hand truck or fork lift traffic.

Bracket Options That Ensure A Perfect Fit



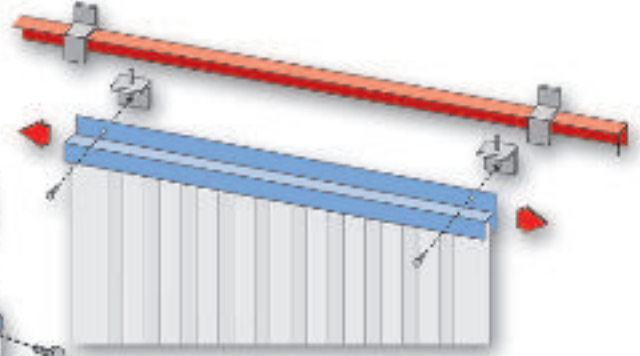
Overhead/Roll-Up Door Bracket

Brackets extend out and around the door assembly so strips can be mounted inside for protection from weather or vandalism when the door is closed.



Gate Hinge

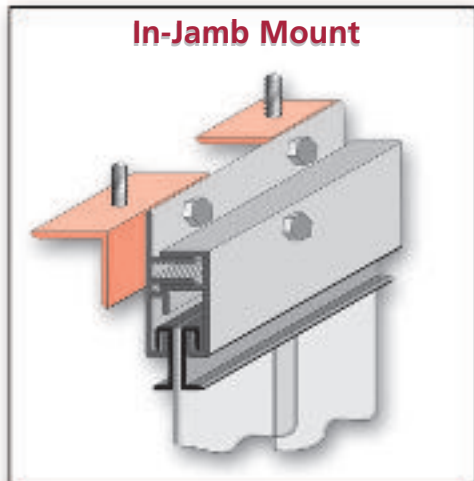
Allows the strip door to be swung out of the opening when not required. A retractable bolt locks the hinge in place.



Trolley Mount

The strip door can be parted in the center or rolled to one side using this heavy duty roller/truck assembly.

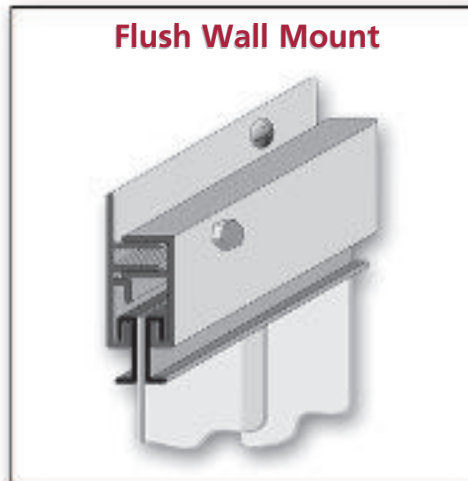
Whether your Econo Max Strip Door requires special moving hardware like a trolley mount or a gate hinge, or simply hangs on a wall or in a door jamb, our customer service representatives, application engineers and R&D staff can draw from our proven mounting hardware solutions or create unique designs to suit your needs.



In-Jamb Mount

In-Jamb Mounting

Mounts to angle brackets beneath the header or lintel when flush wall mounting is impractical.



Flush Wall Mount

Flush Wall Mounting

Mounts above opening with extra height and width to provide overlap at sides.

Other Mounting Options

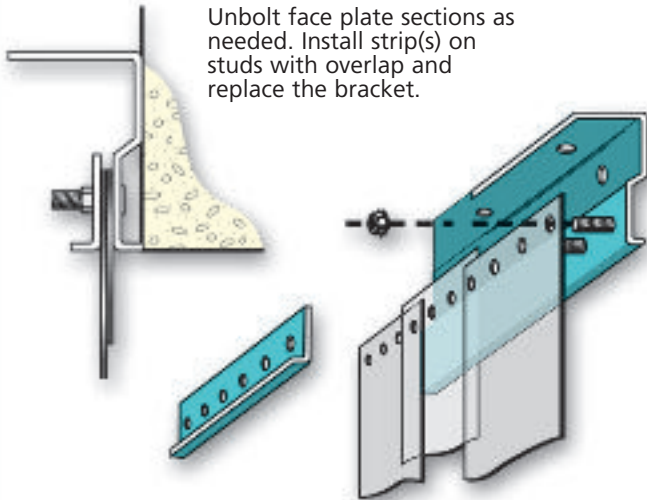
- Flush wall fixed hang
- In-jamb fixed hang
- Gravity Hinge
- Moveable in-truck mount

Create A Strip Door Or Partition With Chase Doors Engineering, Know-How and Proven Performance

Chase Doors engineers have developed unique hardware systems that provide solutions to hundreds of simple or challenging mounting problems. Only Chase Doors offers a choice of a J-Hook Strip mount or EconoTrack mounting bracket featuring easy strip replacement. Our patented mounts are designed and tested to insure fast installation and long-term performance in hundreds of special one-of-a-kind applications, regardless of traffic flow, floorplan, door structure or environment.

EconoTrack Mounting Bracket

Unbolt face plate sections as needed. Install strip(s) on studs with overlap and replace the bracket.



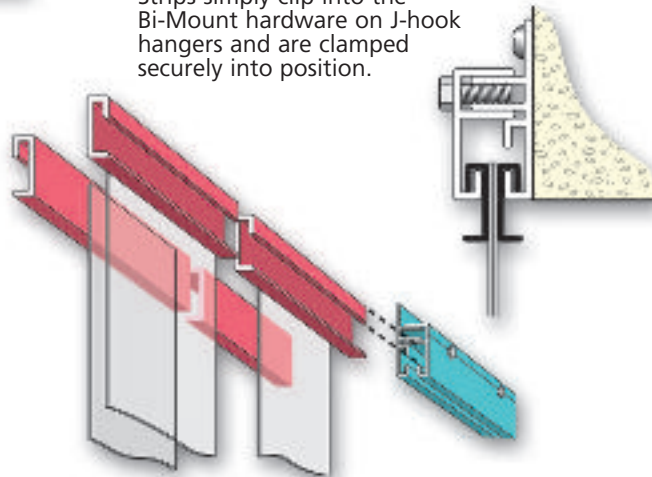
EconoTrack Mounting Bracket

The Durable, versatile EconoTrack Bracket can be used for both surface and in-jamb mounting on small or very large openings. EconoTrack's formed steel face plate holds strips firmly while allowing flex without breaking. These rugged brackets are constructed of 14 gauge galvanized steel with 1/4" studs. Face plates are formed in 12" sections for easy strip replacement.

The EconoTrack Mounting Bracket is the most popular design in the industry. Its simple strip replacement feature allows the customer to replace individual strips cut-to-size from the factory, or cut and punched in the field.

J-Hook Compatible Mounting Bracket

Strips simply clip into the Bi-Mount hardware on J-hook hangers and are clamped securely into position.



J-Hook Compatible Mounting Bracket

In the unique J-Hook system, J-Hook hangers - each with a strip attached - are hung from a 2-part extruded aluminum bracket. Hangers are easily lifted out to replace strips. A continuous welded bond between each strip and its J-Hook insures long life.

Installation is simple: Just screw the aluminum mounting hardware flush to the wall, or to brackets in the door jamb, or into any other special mounting hardware. Then hang the J-hook mounted strips into place and tighten the clamping bolts. Strips will hang straight and level with the correct overlap.

Selection Chart

Standard*
 USDA/Low Temp.
 USDA/Low Temp. Reinforced
 Colonview (consult factory for colors)
 Amberweld
 Loc-Rib Standard
 Loc-Rib FDA/Low Temp.
 Safety Orange
 Anti-Static

	General Application	Model Number	Strip Width x Thickness	Strip Max. Over-Door		Standard*	USDA/Low Temp.	USDA/Low Temp. Reinforced	Colonview (consult factory for colors)	Amberweld	Loc-Rib Standard	Loc-Rib FDA/Low Temp.	Safety Orange	Anti-Static
				Lap	Height									
<p>TO ORDER:</p> <p>In the Selection Guide, find the model number that corresponds to the application, maximum door height and strip material you require. When ordering indicate your exact door opening dimensions and specify if the strip door is to be wall or jamb mounted, or requires other special hardware.</p>	<p>PERSONNEL</p> <p>For use in restaurants and small openings in walk-in coolers and non-windy doorways.</p>	4061	4" x.060"	1"	8'	•	•	•						
	<p>PERSONNEL: LIGHT CARTS</p> <p>For use in walk-through coolers, freezers and doorways with light cart traffic.</p>	6601	6" x.060"	1"	8'									
	6602	2"		10'	•	•	•							
	<p>LIGHT INDUSTRIAL</p> <p>For interior use with cart, pallet jack and light forklift traffic. Okay for small exterior doorways with some air movement and cold storage coolers and freezers.</p>	8801	8" x.080" (.120" available)	1"	8'									
	8802	2"		12'	•	•	•	•	•	•	•	•	•	
	8803	3"		16'										
	<p>INDUSTRIAL</p> <p>Heavy lift-truck traffic in docks, doorways and cold storage coolers, or freezers. Okay for use in exterior doorways and dock enclosures. Provides good sound attenuation.</p>	121202	12" x.120" (.080" available)	2"	22'									
	121203	3"		22'	•	•	•	•	•	•	•	•	•	
	121204	4"		25'										
	121206	6"		25'										
	<p>HEAVY INDUSTRIAL</p> <p>Heavy duty lift-truck or vehicle traffic in large dock, door or craneway openings. Reduce sand, dust, chip, and wind penetration. Not designed for walk-through.</p>	161602	16" x.160" (.080" available)	2"	25'									
	161604	4"		25'	•	•				•	•	•	•	
	161606	6"		25'										
	161608	8"		25'										

*Also available in 48" width at .080", .120" and .160" thick.



EconoClear™ Flexible Door

- Designed for use in walk-in coolers and food preparation areas
- Complete visibility for maximum safety
- Self-closing hinge has zinc base and powder coated arm for strength and corrosion resistance
- Door panel is reinforced with belting material at attachment points for durability
- Optional low temperature or anti-static material available
- Easy installation and virtually maintenance free

Catalog #EMSD0406
 Printed in the U.S.A.



Chase Doors
 World's Leading Manufacturer of Traffic Doors

Chase Industries, Inc.
 Cincinnati • Redmond
 Toll-Free (800) 543.4455 • (513) 860.5565 • (800) 245.7045
 Web site: www.chasedoors.com • E-mail: info@chasedoors.com