

One-Piece Vanity Top—Single Bowl

100 Series
300 Series

- ▶ Vanity top flows seamlessly into a spacious bowl for attractive appearance and easy care
- ▶ Includes integral covered backsplash
- ▶ Optional sidesplashes available
- ▶ Includes predrilled holes or hole-drill templates for easy installation
- ▶ Thick front-edge treatment provides a custom look
- ▶ Available in a variety of sizes and bowl positions
- ▶ See *Color Options* page at the beginning of One-Piece Vanity Tops & Bowls Section for available colors

100 Series Vanity Top—Single Bowl



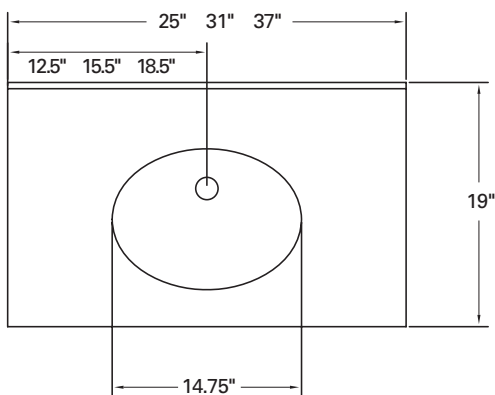
Vanity top with bowl in the same color creates a surface with a sleek, continuous look.

300 Series Vanity Top—Single Bowl

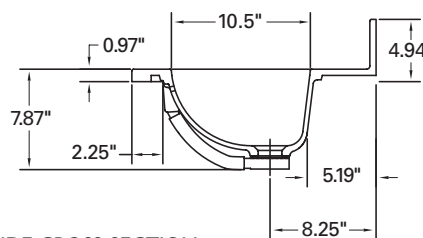


Vanity top with bowl in contrasting color adds elegance to the bathroom.

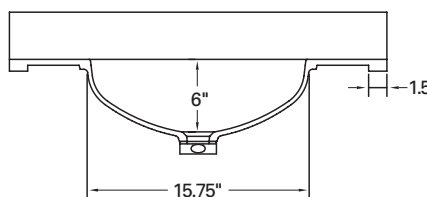
19" Single Vanity Top & Bowl



TOP VIEW



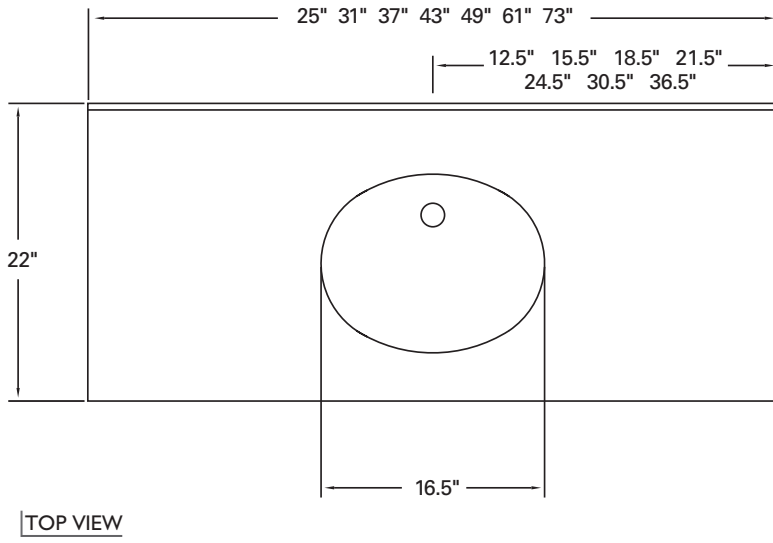
SIDE CROSS-SECTION



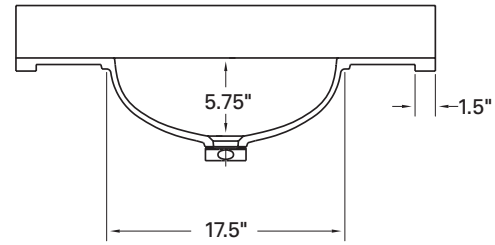
FRONT CROSS-SECTION



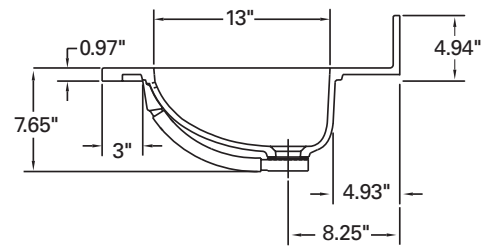
22" Single Vanity Top & Bowl



TOP VIEW



FRONT CROSS-SECTION



SIDE CROSS-SECTION

DIMENSIONS

	Overall Size Width × Length		Bowl Position*	Bowl Size Length × Width × Depth		
SINGLE BOWLS						
inches	19	25	C	14¾	10½	6
(mm)	(483)	(635)		(375)	(267)	(153)
inches	19	31	C			
(mm)	(483)	(787)				
inches	19	37	C			
(mm)	(483)	(940)				
inches	22	25	C	16½	13	5¾
(mm)	(560)	(635)		(419)	(330)	(146)
inches	22	31	C			
(mm)	(560)	(787)				
inches	22	37	C			
(mm)	(560)	(940)				
inches	22	43	C			
(mm)	(560)	(1,092)				
inches	22	49	C			
(mm)	(560)	(1,245)				
inches	22	61	C			
(mm)	(560)	(1,550)				
inches	22	73	C			
(mm)	(560)	(1,854)				

*C—Center

All vanity tops are available with 4", 8", special-request or no faucet drillings.

All drain holes in vanity tops and bowls are nominally 1¾" in diameter and accept all standard drain hardware.

Edge radii are ⅛".

Metric conversions are approximate.