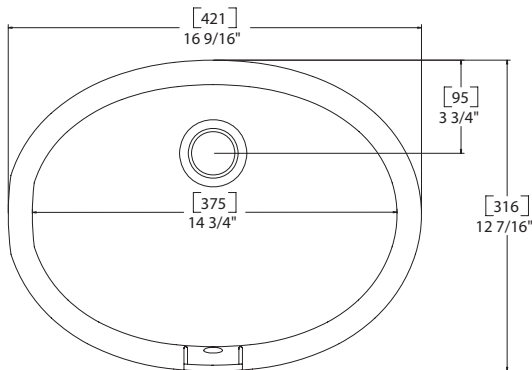


Lavatories 820

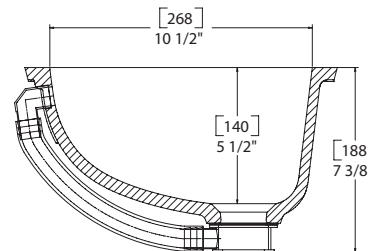
# 820

*This small, traditional bowl is ideal for narrow-depth vanity top designs.*

- ▶ Offers a seamless, easy-to-clean surface when coordinated with Corian® vanity tops
- ▶ Nonporous surface inhibits growth of mold and mildew
- ▶ Suitable for multibowl installations in both residential and commercial settings
- ▶ See *Color Options* page at the beginning of Lavatories Section for available colors



TOP VIEW



SIDE CROSS-SECTION

**820 (SEAMED UNDERMOUNT)**

**INSIDE BOWL DIMENSIONS**

	Length	×	Width	×	Depth
inches	14¾		10½		5½
(mm)	(375)		(268)		(140)

For an explanation of installation options, see *Installation/Accessories*.

All drain holes in lavatories are nominally 1¾" in diameter and accept all standard drain hardware.

Metric conversions are approximate.



**corian.**