

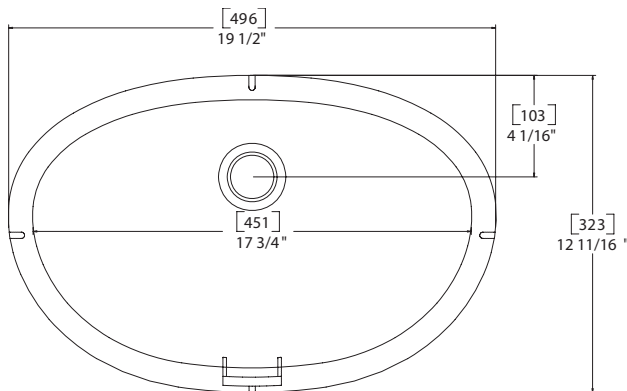
# Lavatories

816

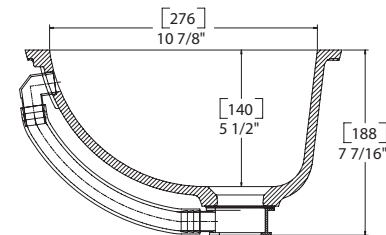
## 816

Add enduring elegance with this elongated oval bowl for narrow-depth vanities.

- ▶ Offers a seamless, easy-to-clean surface when coordinated with Corian® vanity tops
- ▶ Nonporous surface inhibits growth of mold and mildew
- ▶ Suitable for multibowl installations in both residential and commercial settings
- ▶ See *Color Options* page at the beginning of Lavatories Section for available colors



TOP VIEW



SIDE CROSS-SECTION

**816 (SEAMED UNDERMOUNT)**

**INSIDE BOWL DIMENSIONS**

|        | Length                         | × | Width                          | × | Depth                         |
|--------|--------------------------------|---|--------------------------------|---|-------------------------------|
| inches | 17 <sup>3</sup> / <sub>4</sub> |   | 10 <sup>7</sup> / <sub>8</sub> |   | 5 <sup>1</sup> / <sub>2</sub> |
| (mm)   | (451)                          |   | (276)                          |   | (140)                         |

For an explanation of installation options, see *Installation/Accessories*.

All drain holes in lavatories are nominally 1<sup>3</sup>/<sub>4</sub>" in diameter and accept all standard drain hardware.

Metric conversions are approximate.



**corian.**