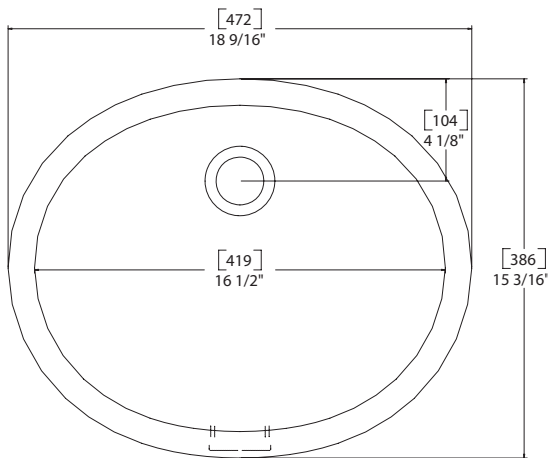


Lavatories 810

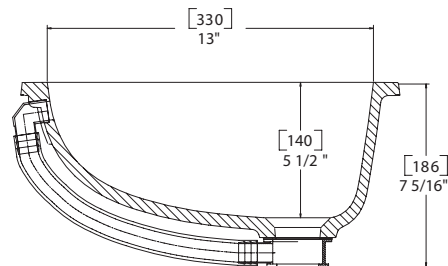
# 810

Enjoy the simple, timeless style of this proven performer.

- ▶ Coordinates with Corian® vanity tops for a seamless, easy-to-clean surface
- ▶ Nonporous surface resists mold, mildew and stains
- ▶ Suitable for multibowl installations in both residential and commercial settings
- ▶ See *Color Options* page at the beginning of Lavatories Section for available colors



TOP VIEW



SIDE CROSS-SECTION

**810 (SEAMED UNDERMOUNT)**

**INSIDE BOWL DIMENSIONS**

	Length	×	Width	×	Depth
inches	16½		13		5½
(mm)	(419)		(330)		(140)

For an explanation of installation options, see *Installation/Accessories*.

All drain holes in lavatories are nominally 1¾" in diameter and accept all standard drain hardware.

Metric conversions are approximate.



**corian.**