

# DuPont Surfaces

## DUPONT™ CORIAN® LAVATORIES POSITIONING FOR ADA COMPLIANCE

### TECHNICAL BULLETIN

#### TABLE OF CONTENTS

PAGE	SECTION
3	Illustration of ADA Guidelines Used
3	Options for Counters Placed 34" from Floor
4	Model 810 with Front Overflow
5	Model 810 with Offset Overflow
6	Model 810 with Side or No Overflow
7	Model 816 with Front Overflow
8	Model 816 with Side or No Overflow
8	Model 820 — Positioning Diagrams
11	Vanity with Integrated Bowl — 22" deep
12	Vanity with Integrated Bowl — 19" deep
13	Bowl Selections for a given Counter Height
14	Summary of Bowl Dimensions and Colors
14	Lav Order Numbers
15	Skirting Layout and Measurement Examples

#### INTRODUCTION

This guide is provided to facilitate use and placement of DuPont™ Corian® lavatories per ADA guidelines. This guide is not intended to replace the Design Professional's review and understanding of the Americans with Disabilities Act (ADA) regulations as it relates to the installation of sinks and lavatories. These guidelines are provided as general reference. It is the responsibility of the Design Professional to assure each installation is in compliance with ADA requirements. These guidelines are based on ADA regulations in effect as of April 2007. See ADA Standards For Accessible Design at <http://www.usdoj.gov/crt/ada/stdspdf.htm>.



**corian®**



## DUPONT™ CORIAN® LAVATORIES POSITIONING FOR ADA COMPLIANCE

The table below provides an overview of the DuPont™ Corian® lavs most often specified where ADA Compliance is desired.

DuPont Model	Bowl Shape Description	Interior Bowl Dimensions			Overflow Location	Overflow Visibility	Positioning Bowl to Meet ADA Guidelines
		Side-to-side	Front-to-side	Depth			
810	Well shaped smaller bowl that is still deep enough for user convenience	16-1/2"	13"	5-1/2"	Front	Minimal overflow hole visibility to user	Must be carefully positioned. Cannot be enclosed with connecting skirting pieces
					Offset	Minimal overflow hole visibility to user	Works well
					Side	Overflow hole is visible to user	Works well
					None	No overflow	Works well
816	Aesthetically pleasing bowl with reduced front-to-back dimension	17-3/4"	10-7/8"	5-1/2"	Front	Minimal overflow hole visibility to user	Bowl at least 6" from counter edge
					Side	Overflow hole is visible to user	Works well
					None	No overflow	Works well
820	Smallest bowl. Pleasing shape and user friendly depth	14-3/4"	10-1/2"	5-1/2"	Front	Minimal overflow hole visibility to user	Bowl at least 6" from counter edge
Vanity and Bowl	22" vanity with integral bowl. Many length options	16-1/2"	13"	6"	Front	Minimal overflow hole visibility to user	Works well at 34" height. Need side or no overflow option if connecting skirting pieces are desired

# DUPONT™ CORIAN® LAVATORIES POSITIONING FOR ADA COMPLIANCE

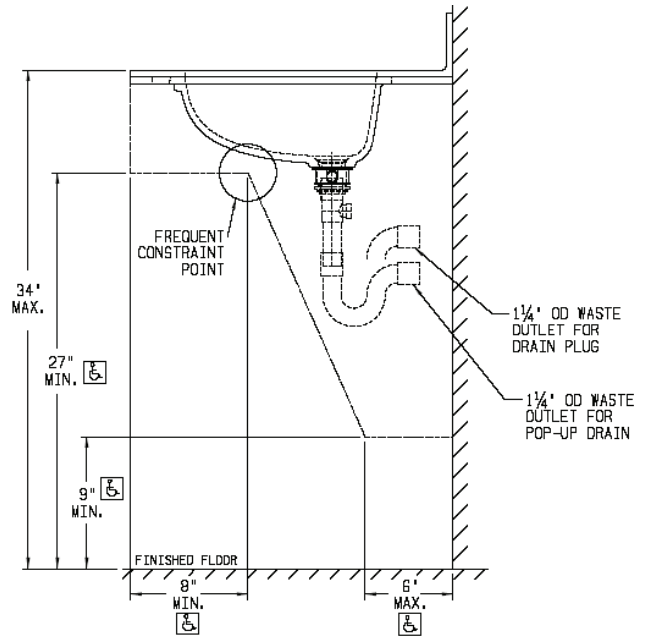
The following points were drawn from the ADA to develop these placement guidelines.

- 34" maximum counter height,
- 27" minimum under counter (knee) clearance height,
- 8" minimum under counter (knee) clearance depth,
- 9" minimum (ankle and foot) clearance height and
- 6" minimum (ankle and foot) clearance depth.<sup>1</sup>

Unless noted, 4 1/2" clearance was allowed between the back of the bowl and the front of the 1/2" thick backsplash.

<sup>1</sup> These guidelines are based on ADA regulations in effect as of April 2007.

**Illustration of ADA Guidelines Used**



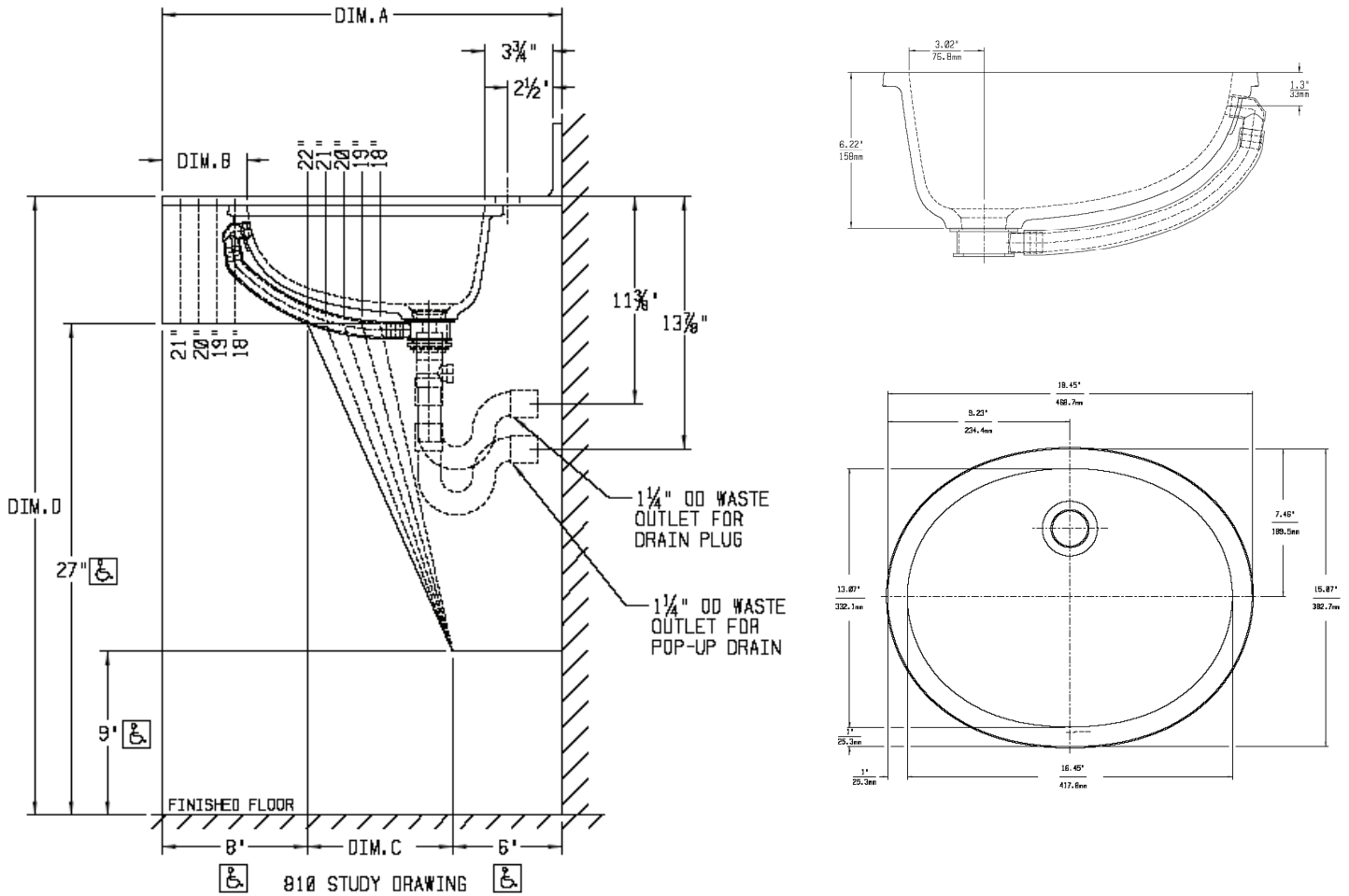
## BOWL STYLE OPTIONS WHEN COUNTER IS 34" FROM FLOOR

Bowl Style	Overflow Location	24" Counter Width		22" Counter Width	
		RANGE OF BOWL POSITIONING OPTIONS (inches from front of counter to front of bowl)			
		Forward Bowl Position	Rear Bowl Position	Forward Bowl Position	Rear Bowl Position
810	Front	5"	6-1/4"	5" <sup>2</sup>	5" <sup>2</sup>
	Offset	2-1/2"	6"	2-1/2"	4"
	Side or None	2"	6"	2"	4"
816	Front	5-3/4"	8-1/8"	5-3/4"	6-1/8"
	Side or None	2"	8-1/8"	2"	6-1/8"
820	Front	5-2/3"	8-1/3"	5-2/3"	6-1/3"

<sup>2</sup> See page 4 for specific guidelines on the 810 with a front overflow in 22" wide counters.

# DUPONT™ CORIAN® LAVATORIES POSITIONING FOR ADA COMPLIANCE

## DUPONT™ CORIAN® 810 WITH FRONT OVERFLOW POSITIONING DIAGRAMS

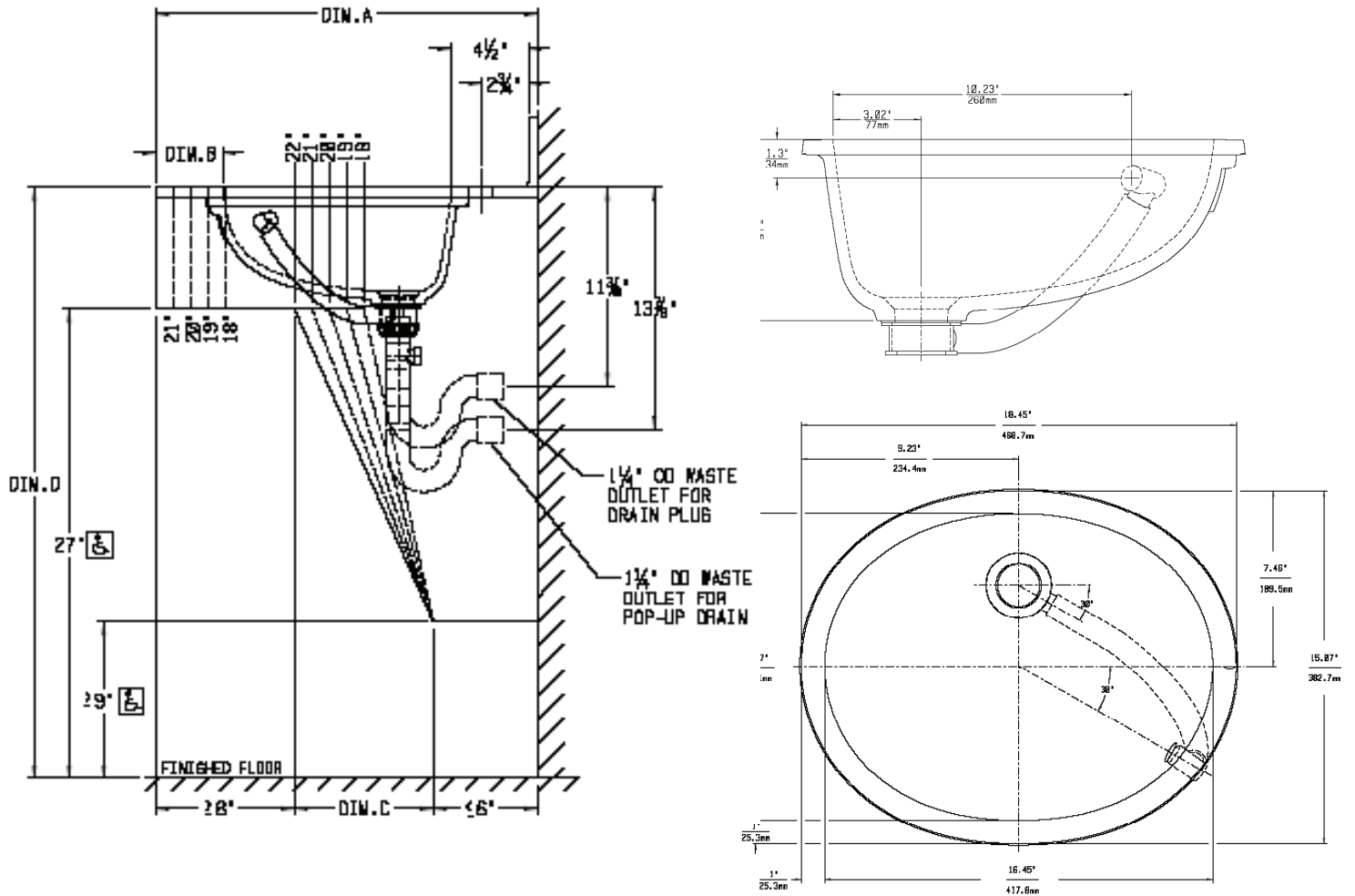


Positioning Options for 34" Counter Height

"A" Counter Width	Range of bowl positioning options (Inches from front of counter to inside front edge of bowl)	
	"B" Minimum Forward Bowl Position	"B" Maximum Rear Bowl Position
24"	5"	6-1/4" to allow 4-1/2" behind bowl
22"	Position back of bowl 3-3/4" from front of backsplash. Front of bowl will be about 5" from front counter edge. Select faucet that does not require more than 3-3/4" clearance.	

# DUPONT™ CORIAN® LAVATORIES POSITIONING FOR ADA COMPLIANCE

## DUPONT™ CORIAN® 810 WITH OFFSET OVERFLOW POSITIONING DIAGRAMS



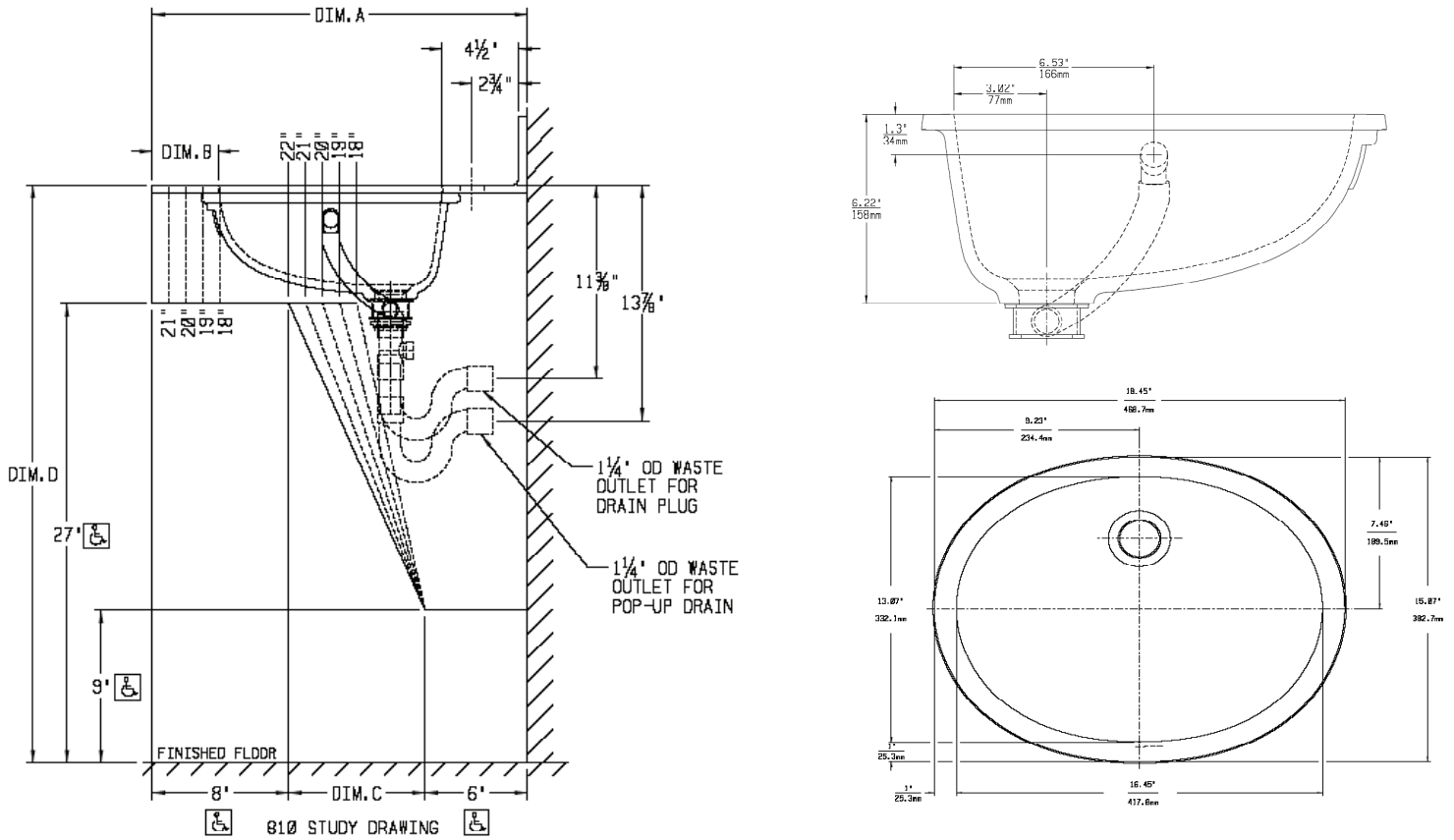
Positioning Options for 34" Counter Height

"A" Counter Width	Range of bowl positioning options (Inches from front of counter to inside front edge of bowl)	
	"B" Minimum Forward Bowl Position	"B" Maximum Rear Bowl Position
24"	2-1/2"	6"
22"	2-1/2"	4"
21"	Position back of bowl 4-1/2" from front of backsplash. Front edge of bowl will be 3" from counter front.	

The 810 with an Offset overflow is not a standard stocking item. Please call for delivery information 1-800-4CORIAN.

# DUPONT™ CORIAN® LAVATORIES POSITIONING FOR ADA COMPLIANCE

## DUPONT™ CORIAN® 810 WITH SIDE OR NO OVERFLOW POSITIONING DIAGRAMS



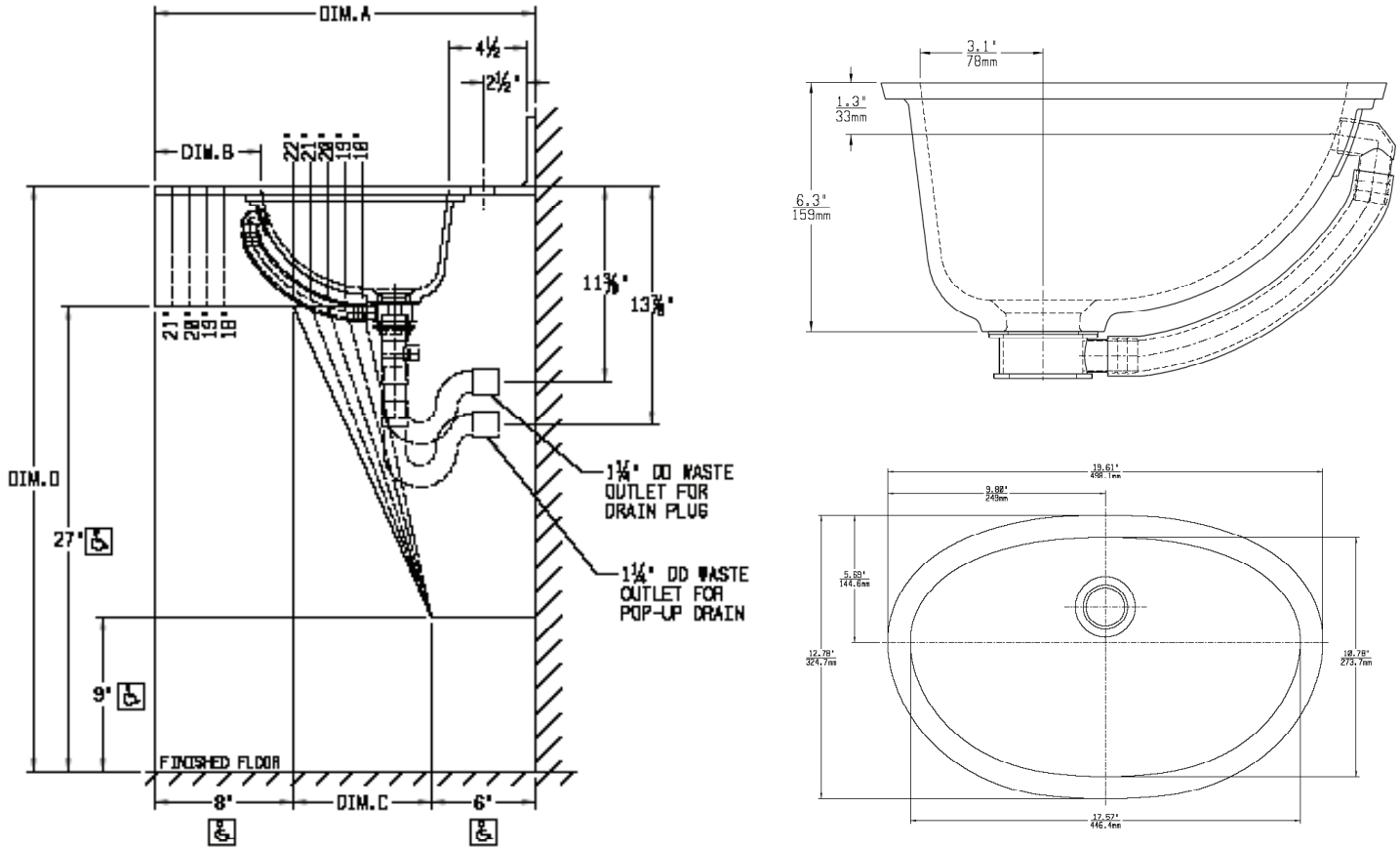
Positioning Options for 34" Counter Height

"A" Counter Width	Range of bowl positioning options (Inches from front of counter to inside front edge of bowl)	
	"B" Minimum Forward Bowl Position	"B" Maximum Rear Bowl Position
24"	2"	6"
22"	2"	4"
20"	Position back of bowl 4-1/2" from front of backsplash. Front edge of bowl will be 2" from counter front.	

The 810 with a side or no overflow is not a standard stocking item. Please call for delivery information 1-800-4CORIAN.

# DUPONT™ CORIAN® LAVATORIES POSITIONING FOR ADA COMPLIANCE

## DUPONT™ CORIAN® 816 WITH FRONT OVERFLOW POSITIONING DIAGRAMS

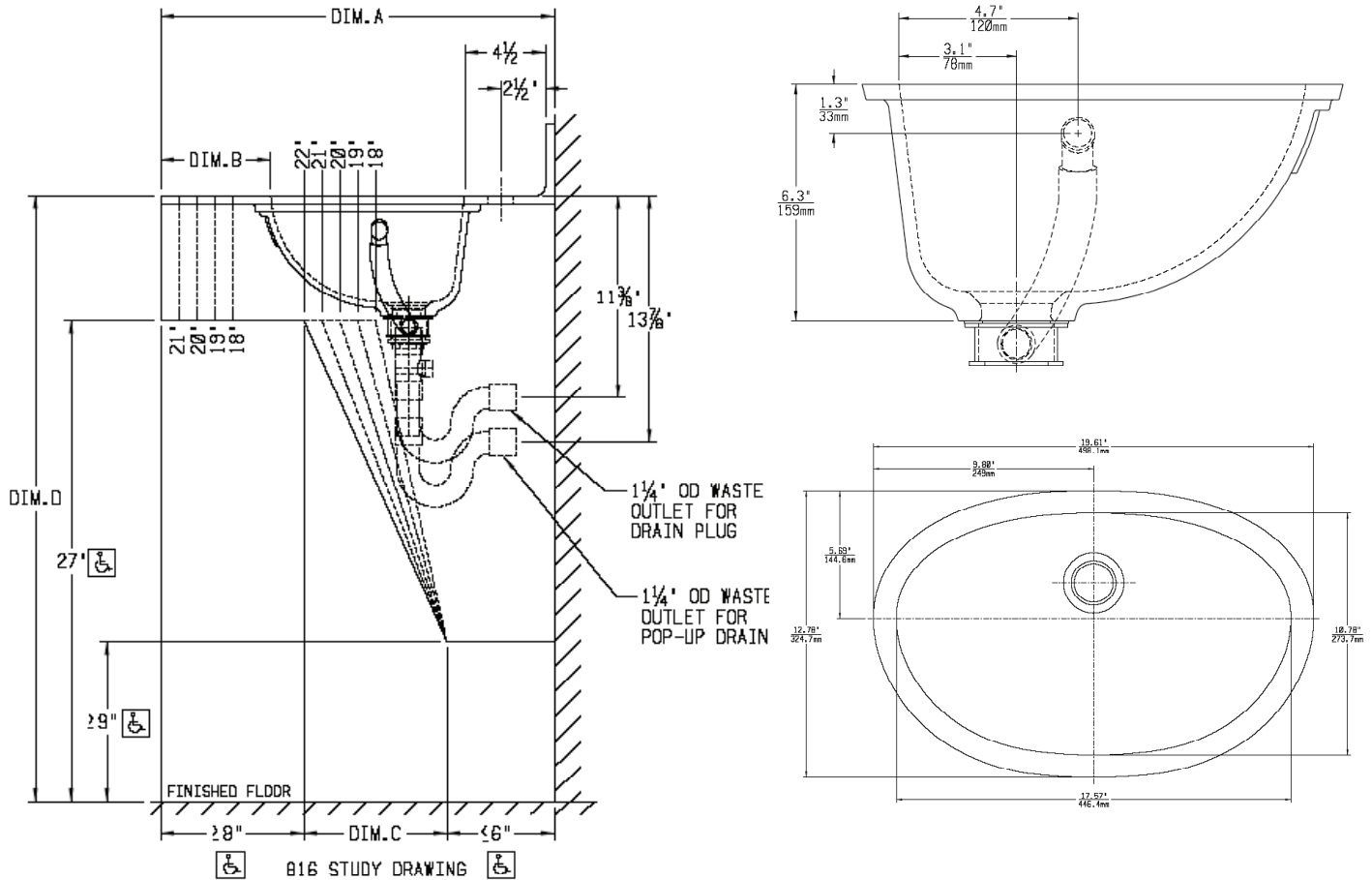


Positioning options for 34" counter height

"A" Counter Width	Range of bowl positioning options (Inches from front of counter to inside front edge of bowl)	
	"B" Minimum Forward Bowl Position	"B" Maximum Rear Bowl Position
24"	5-3/4"	8-1/8"
22"	5-3/4"	6-1/8"

# DUPONT™ CORIAN® LAVATORIES POSITIONING FOR ADA COMPLIANCE

## DUPONT™ CORIAN® 816 WITH SIDE OR NO OVERFLOW POSITIONING DIAGRAMS



### Positioning Options for 34" Counter Height

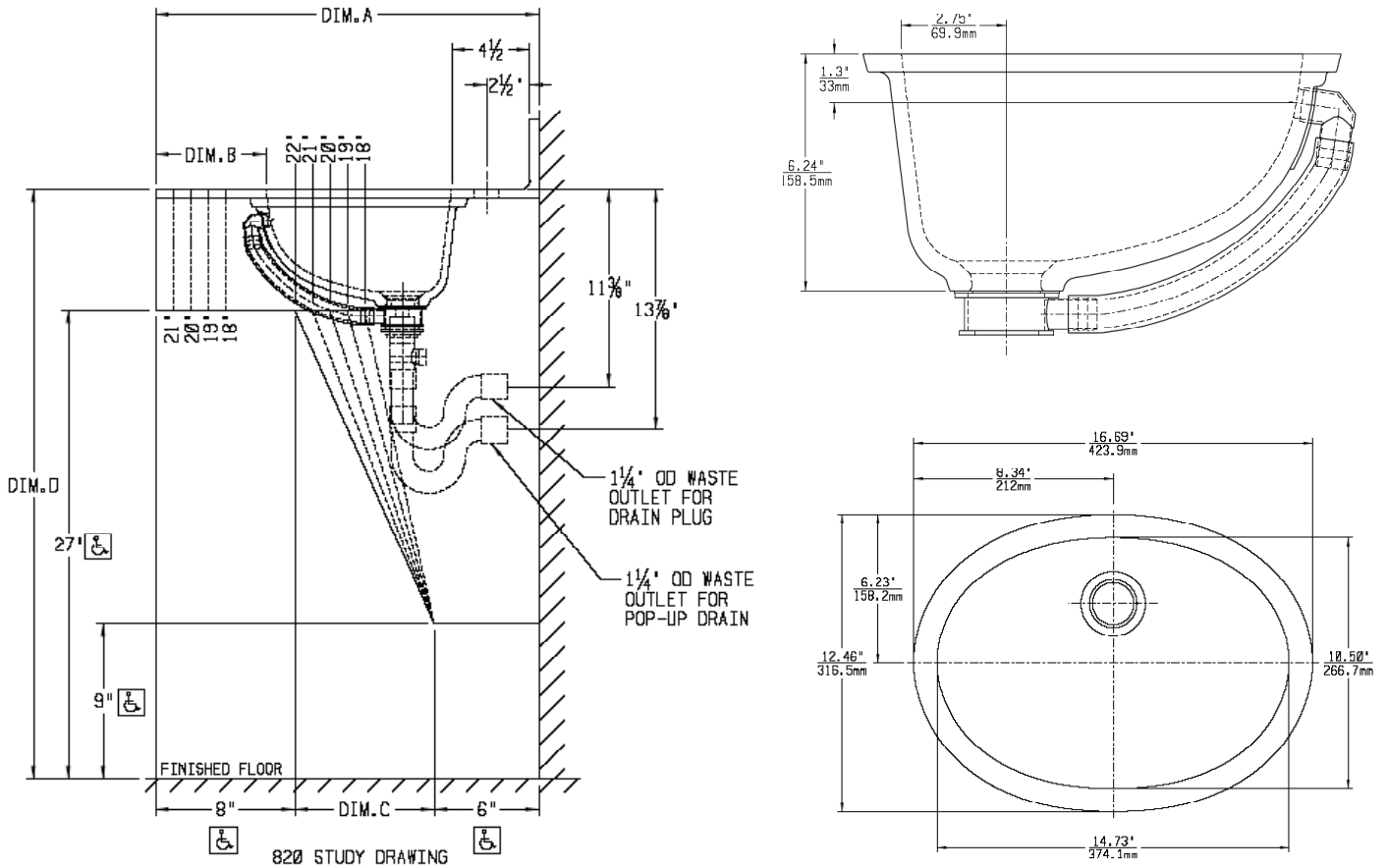
"A" Counter Width	Range of bowl positioning options (Inches from front of counter to inside front edge of bowl)		
	"B" Minimum Forward Bowl Position	Forward Bowl Position if a straight skirt panel and pop-up style drain are desired.	"B" Maximum Rear Bowl Position
24"	2"	2"	8-1/8"
22"	2"	2"	6-1/8"
22"	2"	4-1/8"	4-1/8"
18"	2"	2-1/8"	2-1/8"

The 816 with a side or no overflow is not a standard stocking item. Please call for delivery information 1-800-4CORIAN.



# DUPONT™ CORIAN® LAVATORIES POSITIONING FOR ADA COMPLIANCE

## DUPONT™ CORIAN® 820 POSITIONING DIAGRAMS

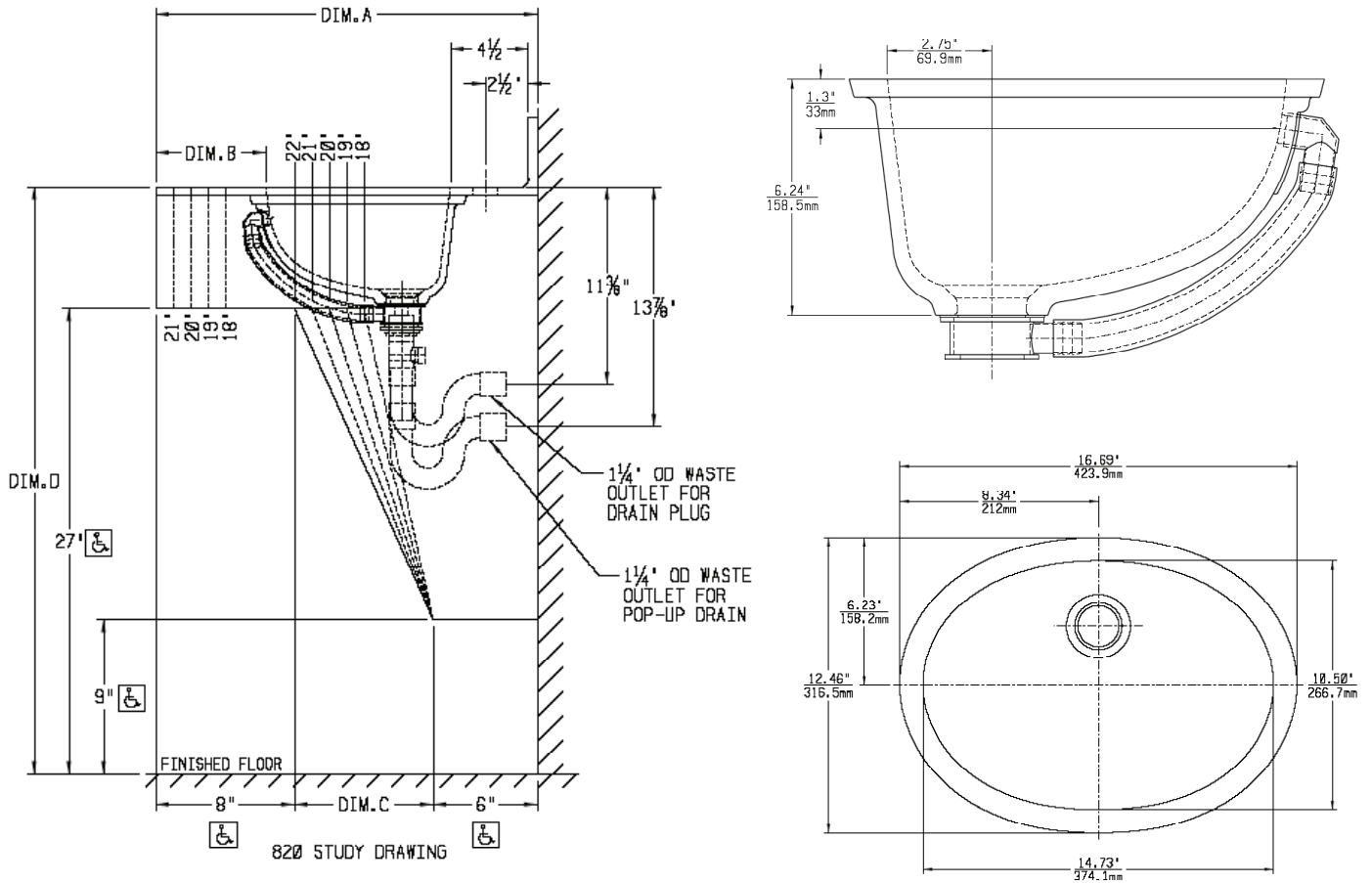


### Positioning Options for 34" Counter Height

"A" Counter Width	Range of bowl positioning options (Inches from front of counter to inside front edge of bowl)	
	"B" Minimum Forward Bowl Position	"B" Maximum Rear Bowl Position
24"	5-2/3"	8-1/3"
22"	5-2/3"	6-1/3"

# DUPONT™ CORIAN® LAVATORIES POSITIONING FOR ADA COMPLIANCE

## DUPONT™ CORIAN® 820 POSITIONING DIAGRAMS (CONTINUED)



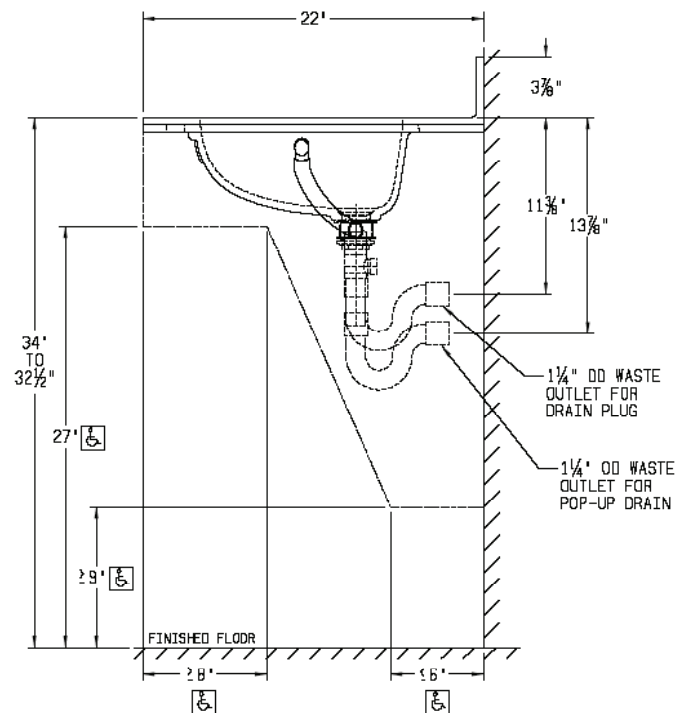
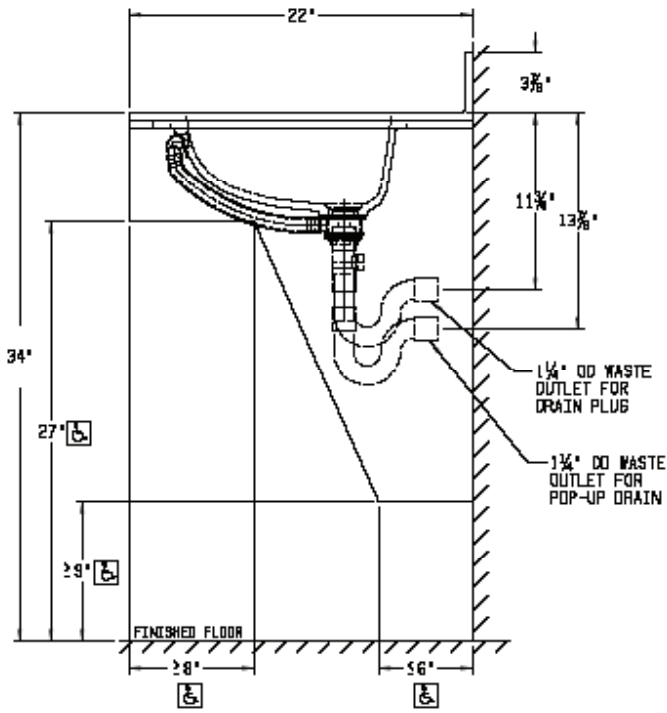
### Positioning Options for 34" Counter Height

"A" Counter Width	Range of bowl positioning options (Inches from front of counter to inside front edge of bowl)	
	"B" Minimum Forward Bowl Position	"B" Maximum Rear Bowl Position
24"	5-2/3"	8-1/3"
22"	5-2/3"	6-1/3"

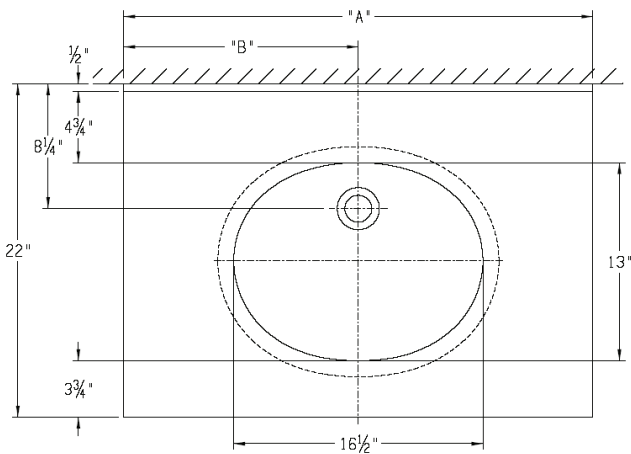
DUPONT™ CORIAN® 22" VANITY WITH INTEGRATED BOWL POSITIONING DIAGRAMS

**Standard Front Overflow**  
Install 34" from floor  
to meet ADA guidelines.

**Side or No Overflow Option**  
Install 32-1/2" to 34" from floor  
Not a standard stocking item.  
Please call for delivery information.



Plan Diagram for all 22" Integrated Bowl Vanities



The 22" Integrated bowl vanities with front overflows are offered in 31", 37", 43", 49", 61" and 73" lengths. Countertop length is the same on either side of the bowl. Please call DuPont for other sizes.

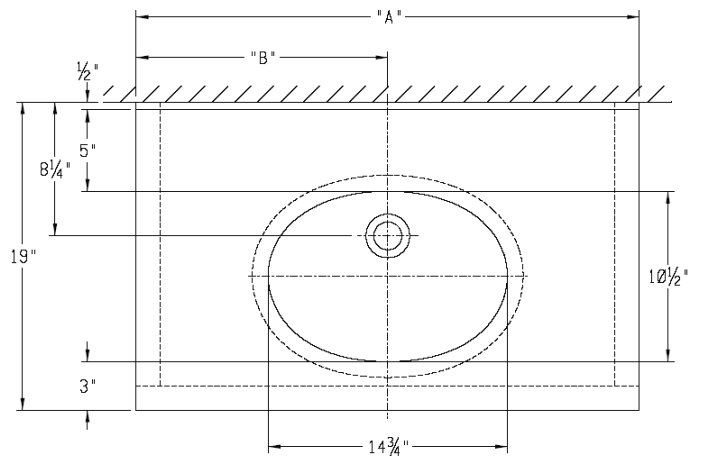
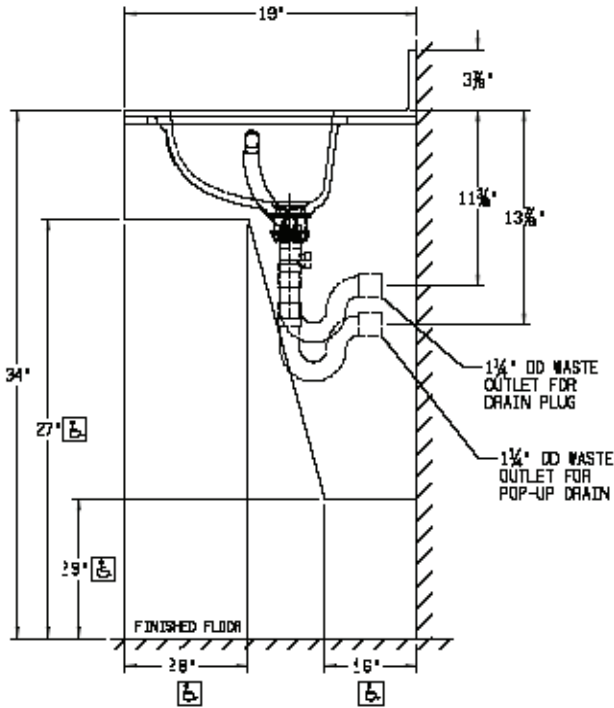
**DUPONT™ CORIAN® 19" VANITY WITH INTEGRATED BOWL POSITIONING DIAGRAMS**

**Note: The 19" vanity with the standard front overflow will NOT meet ADA guidelines.** The side overflow option can meet ADA guidelines when the counter is 34" high. The side or no overflow design is not a standard stocking item. Please contact your distributor on minimum quantities and order lead-time.

**19" Vanity with Side Overflow**

*Must be installed 34" from floor.  
Not a standard stocking item.  
Please call for delivery information.*

**Plan diagram for all 19" Integrated Bowl Vanities**



The 19" Integrated bowl vanities with front overflows are offered in 31" and 37" lengths. Counter length is the same on either side of the bowl. Please call DuPont for other sizes.

# DUPONT™ CORIAN® LAVATORIES POSITIONING FOR ADA COMPLIANCE

## BOWL SELECTION AND POSITIONING GUIDE BASED ON COUNTER HEIGHT

"D" Counter Top Height	"A" Counter Width	Bowl Style	Overflow Location	Range of Bowl Positioning Options (Inches from front of counter to inside edge of bowl)	
				"B" Minimum Forward Bowl Position	"B" Maximum Rear Bowl Position
34"	24"	810	Front	5"	6 1/4" to allow 4-1/2" behind bowl
			Offset	2-1/2"	6"
			Side or None	2"	6"
		816	Front	5-3/4"	8-1/8"
			Side or None	2"	8-1/8"
		820	Front	5-2/3"	8-1/3"
	22"	810	Front	Position back of bowl 3-3/4" from front of backsplash. Front of bowl will be about 5" from front counter edge. Select faucet that does not require more than 3-3/4" clearance.	
			Offset	3"	4"
			Side or None	2"	4"
		816	Front	5-3/4"	6-1/8"
			Side or None	2"	6-1/8"
		820	Front	5-2/3"	6-1/3"
	21"	810	Offset	Position back of bowl 4-1/2" from front of backsplash. Front edge of bowl will be 3" from counter front.	
		810	Side or None	Position back of bowl 4-1/2" from front of backsplash. Front edge of bowl will be 2" from counter front.	
		816	Side or None	2"	5-1/8"
	20"	810	Side or None	Position back of bowl 4-1/2" from front of backsplash. Front edge of bowl will be 2" from counter front.	
		816	Side or None	2"	4-1/8"
	19"	816	Side or None	2"	3-1/8"
	18"	816	Side or None	Position back of bowl 4-1/2" from front of backsplash. Front edge of bowl will be 2" from counter front.	
	33"	24"	810	Front	5"
Offset				4"	6"
Side or None				2"	6"
816			Front	5-3/4"	6-1/8"
			Side or None	2"	6-1/8"
820		Front	6-2/3"	7-1/3"	
22"		810	Offset	Position back of bowl 4-1/2" from front of backsplash. Front edge of bowl will be 2" from counter front.	
			Side or None	2"	4"
		816	Side or None	2"	4-1/8"
21"		810	Side or None	Position back of bowl 4-1/2" from front of backsplash. Front edge of bowl will be 3" from counter front.	
	816	Side or None	2"	3-1/8"	
32"	24"	810	Side or None and Offset	Position back of bowl 4-1/2" from front of backsplash. Front edge of bowl will be 6" from counter front.	
		816	Side or None	6"	8-1/8"
		820	Front	5-2/3"	6-1/3"
	22"	816	Side or None	Position back of bowl 4-1/2" from front of backsplash. Front edge of bowl will be 6" from counter front.	

# DUPONT™ CORIAN® LAVATORIES POSITIONING FOR ADA COMPLIANCE

## DUPONT™ CORIAN® LAVATORY DIMENSION AND COLOR TABLE

DuPont Model		810		816		820	Vanity and Bowl	
Description		Well shaped smaller bowl that is still deep enough for user convenience		Aesthetically pleasing bowl with reduced front-to-back dimension.		Smallest. Retains aesthetically pleasing shape and user friendly depth.	19" deep Vanity with integral bowl.	22" deep Vanity with integral bowl.
Interior Bowl Dimensions	Side-to-side	16-7/8"		17-3/4"		14-11/16"	14-3/4"	16-1/2"
	Front-to-back	13"		10-13/16"		10-7/16"	10-1/2"	13"
	Depth	5-1/4"		5-1/2"		5-5/16"	6"	5-3/4"
Exterior Bowl Dimensions	Side-to-side	18-7/8"		19-3/4"		16-11/16"	15-3/4"	17-1/2"
	Front-to-back	15"		12-13/16"		12-7/16"	11-1/2"	14"
	Depth	7-3/16"		7-3/8"		7-1/16"	7-7/8"	6-3/4"
Overflow Location		Front	Side/None or Offset	Front	Side/None	Front	Front Call for side or no overflow option	
Colors	Bisque	Available	Available, typically 1 additional week lead time	Available	Upon Request	Available	Available	Available
	Bone	Available		Available	Upon Request	Available	Available	Available
	Cameo White	Available		Available	Upon Request	Available	Available	Available
	Glacier White	Available		Available	Upon Request	Available	Available	Available
	Natural Pearl	Available		Upon Request	Available	Upon Request	Available	Top/bowl: Antarctica/ Glacier White, Aurora/Bone, Linen/Bisque, Savannah/ Cameo White
Pearl Gray	Available	Upon Request	Available	Upon Request	Available			
	Vanilla	Available	Upon Request	Available	Upon Request	Available		

## CORIAN® LAV ORDER NUMBERS BY SHAPE, OVERFLOW LOCATION AND COLOR

NOTE: "Front" overflow is standard overflow location

"Offset" location is at the 4:30 position if you are standing in front of an installed sink.

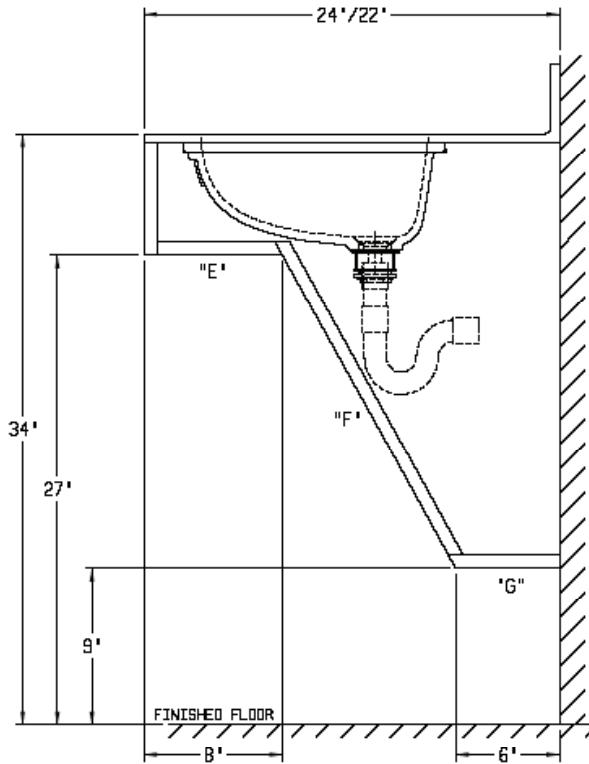
"Side" location is at the 3:00 position if you are standing in front of an installed sink.

Model #	Overflow location	Bisque (BI)	Bone (BN)	Cameo White (CW)	Glacier White (GW)	Natural Pearl (CH)	Pearl Gray (PG)	Vanilla (NL)
810	Offset (4:30)	D13278591	D13278606*	D13278584	D13278573			
	Side	D12845100	D12845113	D12845126	D12845092			D13907174
	Back	D13974115	D13957978	D12088464	D12088475			D13627794
	No	D12222076	D11976978	D11976994	D11976961		D11975472	D11976982
815	Offset (4:30)	D13974122	D13974138	D13974144	D13974152			
	Side	D13974165	D139741377	D13974182	D13974192			
	No	D13974201	D13974212	D11975486	D11977008			
816	Offset (4:30)	D13974229	D13974233	D13974245	D13974259			
	Side	D13974260	D13974278	D13931118	D13974280			
	No	D13954225	D13954211	D11977018	D11975607			
820	Offset (4:30)	D13974296	D13974302	D13974310	D13974323			
	Side	D13989121	D13989133	D13989148	D13989156			
	No	D12222086	D11980201	D11975612	D11980190			

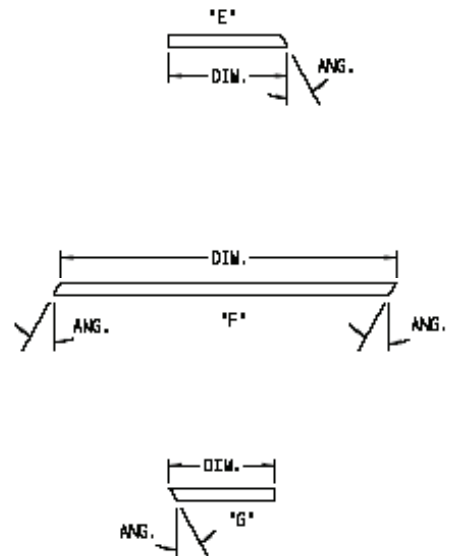
\* Please call for availability. This selection is not typically stocked.

DUPONT™ CORIAN® LAVATORY SINGLE PIECE SKIRTING LAYOUT EXAMPLE

Single Piece Skirting Layout Example



Individual diagrams of key pieces  
used and referenced in table below



## DUPONT™ CORIAN® LAVATORIES POSITIONING FOR ADA COMPLIANCE

Lav	Overflow Location	Counter Width	Pop-Up or Plug Drain	Distance from front counter edge to interior front of bowl	Cut Angle for all 3 pieces	Horizontal Knee Piece "E"	Piece Nearest Drain "F"	Horizontal Toe Piece "G"
810	Front	24"	Either	6-3/4"	29 DEG	7-1/4" (Assumption below applies.)	20-9/16"	6-7/16"
		22"		Will not meet ADA guidelines if skirted.				
	Offset	24"	Either	4"	24 DEG	7-1/4" (Note: Assumes vertical front counter edge built up to 3/4" thickness.)	19-11/16"	6-5/16"
		22"						
	Side/No	24"	Pop-up	4-1/2"	29 DEG		20-9/16"	6-7/16"
			Plug	3-1/4"				
	22"	Pop-up	3-1/2"	24 DEG	19-11/16"		6-5/16"	
		Plug	2-1/2"					
816	Front	24"	Either	7-1/4"	29 DEG		20-5/8"	6-3/8"
		22"			24 DEG			
	Side/No	24"	Pop-up	6-7/8"	29 DEG		20-5/8"	
			Plug	5-1/2"	29 DEG			
		22"	Pop-up	5-7/8"	24 DEG		19-3/4"	
			Plug	4-7/8"	24 DEG			
820	Front	24"	Either	7-1/4"	29 DEG	20-5/8"		
		22"			24 DEG		19-3/4"	
22" ITB	Front	22"	Either	Will not meet ADA guidelines if skirted.				
	Side/No	22"	Either	3-3/4"	24 DEG	7-1/4" (Above assumption applies.)	19-3/4"	6-3/8"

The information contained in this Technical Bulletin is given by the E. I. du Pont de Nemours and Company free of charge. It is based on technical data which DuPont believes to be reliable and is intended for use by persons having knowledge of this technical area at their own discretion and risk. Seller assumes no responsibility for results obtained or damage incurred from the use of this Technical Bulletin either in whole or in part by a buyer of Corian®.



*The miracles of science™*