

Since 1987



Quality[™]
Streetscape Solutions

www.brandonindustries.com



The Brandon Industries Standard!

Invest in your neighborhood's future!

Aluminum does not rust, which makes it ideal for outdoor use. It is extremely durable, yet lightweight for easy installation. By combining the casting methods of yesteryear with modern technology, Brandon Industries, Inc. provides you with quality products that will last.

PHONE... 800.247.1274

For Fast service call
M-F 8:30AM - 5PM CST

FAX... 972.542.1015

Our fax line is on 24 hours
a day to take your order.



*You build the neighborhood...
we add the finishing touch!*

Brandon Industries takes pride in manufacturing only the highest quality mailboxes and accessories. We supply builders, developers, and homeowners with beautiful, classically designed products. Our business and reputation are built on thousands of satisfied customers and the best service in the industry. Our knowledgeable sales associates are easy to work with and ready to help determine the best mailbox configuration for any need. We will work hard to earn your business and harder to keep it. Call or email us today.

Order with confidence

We want all customers to be satisfied with their purchases. If you are unsatisfied for any reason, return the item(s) within 30 days and the product will be replaced or a refund will be issued. Items must be returned freight prepaid in an unmodified saleable condition. A 15% restocking fee applies to all items returned after 30 days. Be sure to properly package the items and include a copy of the sales receipt and any additional information that will help us process the return.

For your protection

All orders are inspected to make sure they reach their destination in good condition. No problems are expected with orders, however, accidents may occur during shipping. Upon delivery, check to see that all boxes are included and free of visible damage. Have the driver note any shortage or damage on the freight bill before signing it. Immediately notify Brandon Industries if there is a problem.

...create curb appeal

Warranty

Brandon Industries warrants its products to be free from defects in material and workmanship for a period of one year. Brandon Industries will repair or replace defective products upon their return. This warranty does not include installation labor.

table of contents

- The Estate Mailbox..... pg. 3-4
- The Elite Mailbox..... pg. 5-6
- The Legend Mailbox..... pg. 7-8
- The Savannah Mailbox pg. 9
- The Classic Mailbox pg. 10
- The Legacy Mailbox pg. 11
- The Heritage/
Country Club Mailbox..... pg. 12
- Mounting styles,
mailbox tops & poles..... pg. 13
- Finials & brackets..... pg. 14
- Bases & pedestals pg. 15
- Custom options..... pg. 16
- Cluster box units..... pg. 17
- Examples..... pg. 18

US MAIL

ATTN SALES
Brandon Industries, Inc.
PO Box 2230 • McKinney TX 75070

EASY WAYS TO PAY...

Credit Card - Check

Please do not send cash.

SHIPPING INFO...

MOTOR FREIGHT - Average delivery time is within 2 weeks. Most orders ship via freight lines. We work to get the best rate possible. Shipping charges are FOB McKinney, Texas.



The Estate

- *Classic Design*
- *Heavy-Duty Cast Aluminum*

Model # M1

Outside Dimensions: H: 13.5" W: 9.25" L: 20.5"

Inside Dimensions: H: 8.5" W: 7.75" L: 18.5"

Weight: 21 lbs

Material: Cast Aluminum

5-inch pole top mounts



TXF54-XXXX-1X



TXF54-XX15-1X



TXF54-XX25-1X



TXF54-XX85-1X



TXF54-3015-14

5-inch pole dual mounts



DXF54-24XX-1X



DXF54-2415-1X



DXF54-2485-1X

3-inch pole dual mount



DRC36-2933-1X



front mounts

3-inch poles

4-inch poles



FBC45-2994-1X



FAC45-21P4-1X



FAC36-2933-1X



FBC36-2223-1X

TXF54-XX15-1X

cast pedestals and posts



FXCCE-03XX-1X



TXCP4-XXXX-1X



Parts Interchangeable

Order Today... Call 800-247-1274



The Elite

- *Steel*
- *Standard Size*

Model # M9

Outside Dimensions: H: 8.75" W: 6.5" L: 20.25"

Inside Dimensions: H: 7.5" W: 6.25" L: 18.6"

Weight: 5 lbs

Material: Steel

3-inch pole front mounts

DRC36-2933-9X BK



FAC36-21XX-9X



FRC36-2933-9X



FRC36-2833-92

3-inch pole dual mounts



DAC36-1123-9X



DRC36-2933-9X



DRC36-29XX-9X



4-inch pole dual mounts



DBC45-1224-9X



DBC45-1294-9X

2 3/8-inch poles

single



TXF25-3742-9X



FFF26-29XX-9X



FFF26-2942-9X

dual top mounts

5-inch pole



DXF54-2415-9X

3-inch pole



DXF35-24XX-9X

dual



DXF25-AG42-9X



DFF26-2942-9X

Order Today... Call 800-247-1274



The Legend

- *Heavy-Duty Steel*
- *Larger Capacity*

Model # M7

Outside Dimensions: H: 8.25" W: 10.5" L: 21.25"

Inside Dimensions: H: 10" W: 8" L: 20.75"

Weight: 12 lbs

Material: Premium Steel

5-inch pole top mounts



TXF54-30XX-7X



TXF54-3015-7X



TXF54-3025-7X



TXF54-3085-7X

5-inch pole dual mounts



DXF54-24XX-7X



DXF54-2415-7X



DXF54-2425-7X



DXF54-2485-7X

Quality[™]
Streetscape Solutions
Since 1987

www.brandonindustries.com



3-inch poles

4-inch poles



FAC36-2933-7X



DRC36-2933-7X



FAC45-2994-7X



DBC45-2924-7X

FRC36-2933-7X

front mounts



FBC45-21P4-7X



FAC45-2224-7X





The Savannah

- *Ornate Design*
- *Heavy-Duty Cast Aluminum*

Model # M2

Outside Dimensions: H: 11.25" W: 9.25" L: 20.50"

Inside Dimensions: H: 10" W: 7.25" L: 18.5"

Weight: 21 lbs

Material: Cast Aluminum

top mounts

dual mount

TXF54-XX85-2X



TXF54-XX25-2X



TXF54-XX85-2X



DXF54-2425-2X

front mounts

pedestal



FBC45-2194-2X



FAC45-2224-2X



TXCP4-XXXX-2X

The Classic

- *Timeless Style*
- *Heavy-Duty Cast Aluminum*

Model # M3

Outside Dimensions: H: 11" W:9.25" L: 20.5"

Inside Dimensions: H: 8.5" W: 7.75" L: 18.5"

Weight: 20 lbs

Material: Cast Aluminum



top mounts



TXF54-XX15-3X



TXF54-XX25-3X



TXF54-XX85-3X

TXF54-XX15-3X

dual mounts



DXF54-2415-3X



DXF54-2425-3X



DBC36-2933-3X

front mount



FAC45-2194-3X



Parts Interchangeable



The Legacy

- *Casual Elegance*
- *Heavy-Duty Aluminum*

Model # M5

Outside Dimensions: H: 9" W: 8.5" L: 21.25"

Inside Dimensions: H: 9.25" W: 7.5" L: 20.5"

Weight: 12 lbs

Material: Extruded and Cast Aluminum

top mounts

TXF54-30XX-5X



TXL54-30XX-5X



TXL54-30XX-54



TXF54-30XX-5X



TXF54-3085-5X

dual mounts



DAC36-2933-5X



DXF54-2485-5X

front mounts



FBC36-2933-5X



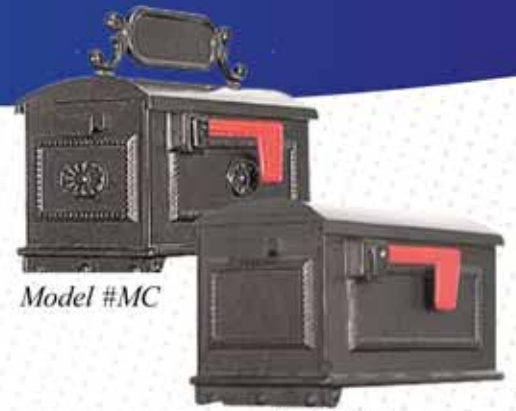
FRC36-29XX-5X



The Heritage & The Country Club

- *Distinct Detailing*
- *Heavy-Duty Cast Aluminum*

Model # ME & MC
 Outside Dimensions: H: 12.25" (MC) H: 9" (ME)
 W: 7.5" L: 17.25"
 Inside Dimensions: H: 8" W: 6.5" L: 16.25"
 Weight: 15 lbs (MC) 14 lbs (ME)



Model #MC

Model #ME

cast pedestals and posts

FRC36-2933-CX



FXCCE-03XX-CX



FXCCS-03XX-CX



TXCP4-XXXX-EX



front mounts



FRC36-2933-CX



FBC36-2993-CX



FAC36-2123-EX

Parts Interchangeable

1. Choose your mounting type

Still haven't found the mailbox you are looking for? Have one of our knowledgeable sales associates design one for you.



Top Mount
(T)



Dual Mount
(D)



Front Mount
(F)



Side Mount
(S)

2. Choose your mailbox top



The Estate (M1)



The Savannah (M2)



The Classic (M3)



The Legacy (M5)



The Country Club (MC)



The Heritage (ME)



The Legend (M7)



The Estate (M9)

3. Choose your pole type and size

Channel Poles (PATENT PENDING)

3 inch



Model #	Length
MPC#36	6'0"
MPC#37	7'0"

4 inch

Model #	Length
MPC#45	5'8"
MPC#46	6'8"

Fluted Pole

5 inch



Model #	Length
MPF#54	54"

3 inch

Model #	Length
MPF#35	5'0"

2 3/8 inch

Model #	Length
MPF#25	5'0"
MPF#26	6'0"

Legacy Pole

Model #	Length
MPL#54	54"

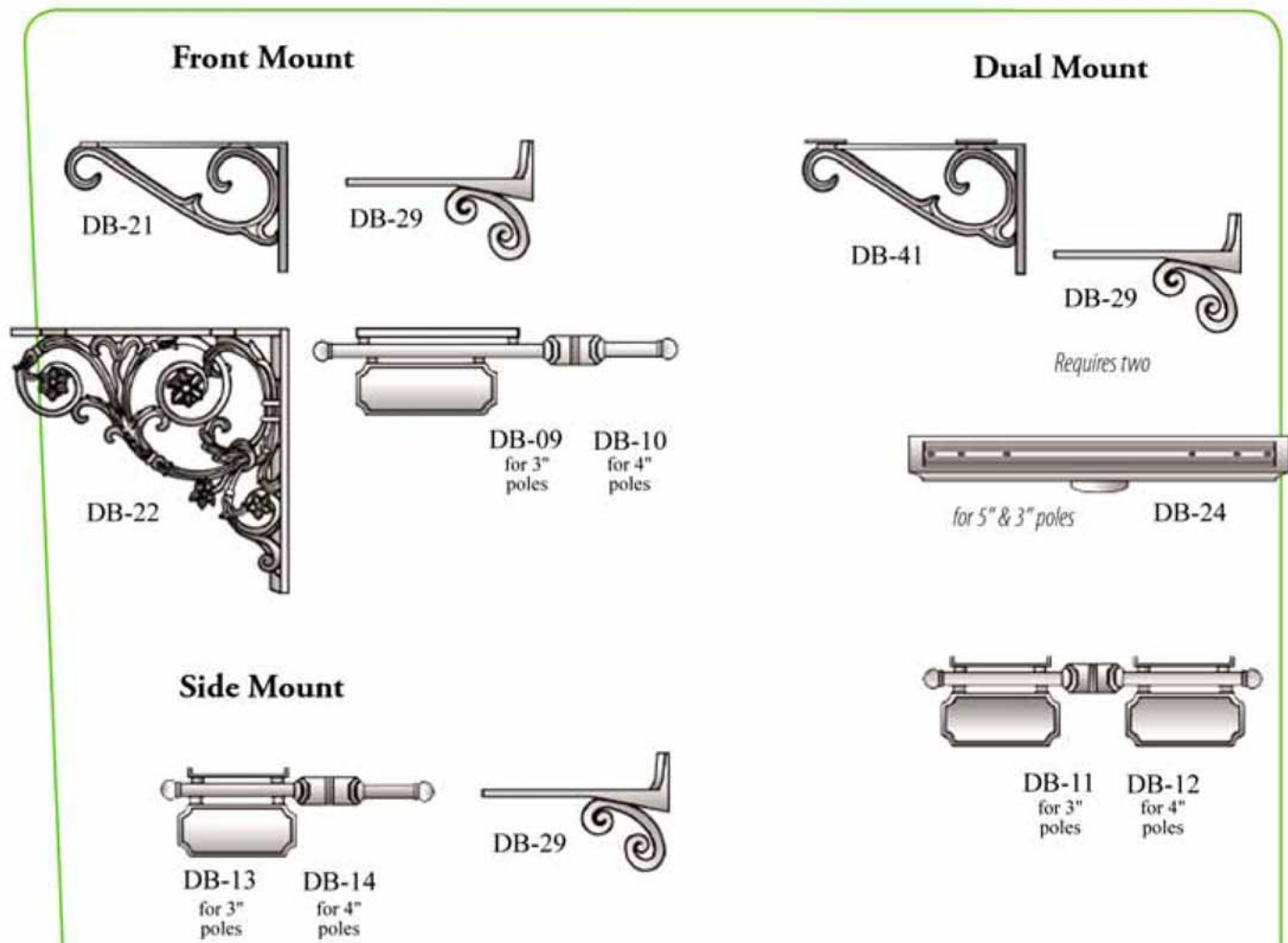




4. Choose your finial according to pole size



5. Choose your bracket according to your mounting type



Parts Interchangeable

6. Choose your base according to pole size

2 3/8 inch



SB-42

HEIGHT- 27"
WIDTH- 7"



SB-33

HEIGHT- 24"
WIDTH- 7"



2PC33

HEIGHT- 24"
WIDTH- 7"



2PC3

HEIGHT- 24"
WIDTH- 10"



SB-93

HEIGHT- 16"
WIDTH- 13"



SB-23

HEIGHT- 4"
WIDTH- 7.5"



SB-34

HEIGHT- 25"
WIDTH- 7"



2PC4

HEIGHT- 24"
WIDTH- 10"

4 inch



SB-64

HEIGHT- 18"
WIDTH- 13"



2PC8

HEIGHT- 16"
WIDTH- 13"



SB-94

HEIGHT- 16"
WIDTH- 13"



SB-24

HEIGHT- 3.5"
WIDTH- 7.5"

5 inch



SB-25

HEIGHT- 5"
WIDTH- 9"



SB-85

HEIGHT- 16"
WIDTH- 13"



SB-15

HEIGHT- 3"
WIDTH- 8.75"

Or... choose from one of our cast pedestals and posts



PED4



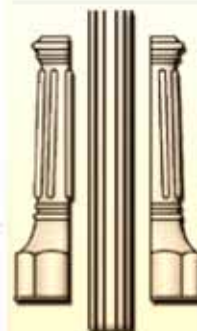
CCE



CCS

Warranty: Brandon Industries, Inc. warrants its products to be free from defects in material and workmanship for a period of one year. Brandon Industries, Inc. will repair or replace defective products upon their return freight paid. This warranty does not include installation labor.

Two-Piece Base (2PC)



Easy to install, these bases clam-shell around new or existing poles and lock together using steel fasteners.

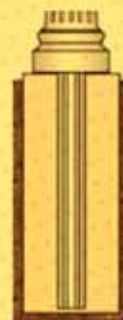
Slip-Over Base (SB)

Similar to a collar, each base slides over the top of the pole and rests on the concrete pad. Large bases lock in place with set screws.



Direct Burial Poles

Poles are designed for burial in concrete for easy installation. The size and depth of concrete varies according to local soil conditions. A minimum of 18" of pole must be buried in concrete. The concrete pad should extend above grade level and be larger in diameter than the base to prevent contact with soil, grass, standing water, and lawn equipment.



Proper installation will protect the finish for years to come.



Newspaper Options

An attractive newspaper holder can be added to most of our mailbox units. Unlike many of the newspaper holders on the market, these are big enough to hold a large Sunday newspaper.

The NPH2 is open in the back and is intended for use with front mounted mailboxes only. The NPH4 includes a back plate so it can be top or side mounted. The NPH6 is made to be used with the banner brackets.



NPH2 & NPH4

Inside Dimensions:
H: 5.75" W: 5.75" L: 16"
Weight: 4.5 lbs
Material: Aluminum



NPH6

Inside Dimensions:
H: 6" W: 6" L: 16"
Weight: 4.5 lbs
Material: Aluminum

Custom Options

- Distinguish your project by adding logos, address plaques, or custom lettering.



Plate-1

Requires (2) Acrylic Address plaques



Aluminum Logo Plaque



Acrylic Address Plaque



Reflective Vinyl Lettering



Acrylic Logo Plaque

Quantity discounts may be available

Color Options



Dark Green (GN)



Dark Bronze (DB)

Antique Bronze (AB)



Verde Green (VG)



Powder coat **Black** is our standard finish, but you may also select from powder coat **Dark Bronze** and **Dark Green** for a slightly higher price. You may also select a **Verde Green** or **Antique Bronze** finish which is hand painted coat applied to our standard Black finish. The Verde Green and Antique Bronze will fade over time as part of the natural weathering process.

Call for pricing.

Parts Interchangeable



DAF36-1123-9X



DXL54-24XX-54



TXF54-XX14-3X



FXCCE-03XX-CX



www.brandonindustries.com



TXF54-30XX-14



Streetscape SolutionsTM
Quality

www.brandonindustries.com

Brandon Industries, Inc.[®]

1601 Wilmeth Road

McKinney, Texas 75069

(800) 247-1274

(972) 542-3000

Fax (972) 542-1015